

VISTA MULTI SLIDE™ IMPACT RATED ALUMINUM SLIDING DOORS



The Vista Multi Slide™ is unlike any other impact rated multi slide door. The panel interlock, at less than 1", is the slimmest sight line profile available providing the largest views and the maximum panel to glass ratios. The panels can span up to 98 sq ft with heights up to 14' and widths up to 7' all while maintaining an impact rating for inclement weather areas. These massive panels glide open and closed effortlessly thanks to the patented EZ Glide™ roller system. The sill can be embedded flush with the finish floor and can meet water ratings without the need of a sill riser. The Vista Multi Slide™ is a truly unique sliding door system and provides consumer benefits that cannot be found anywhere else.

FL 34003

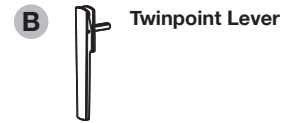
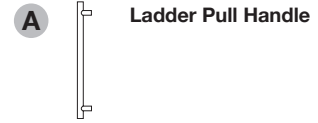


PANEL MINIMUM / MAXIMUM

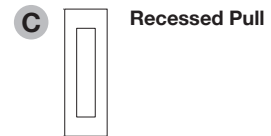
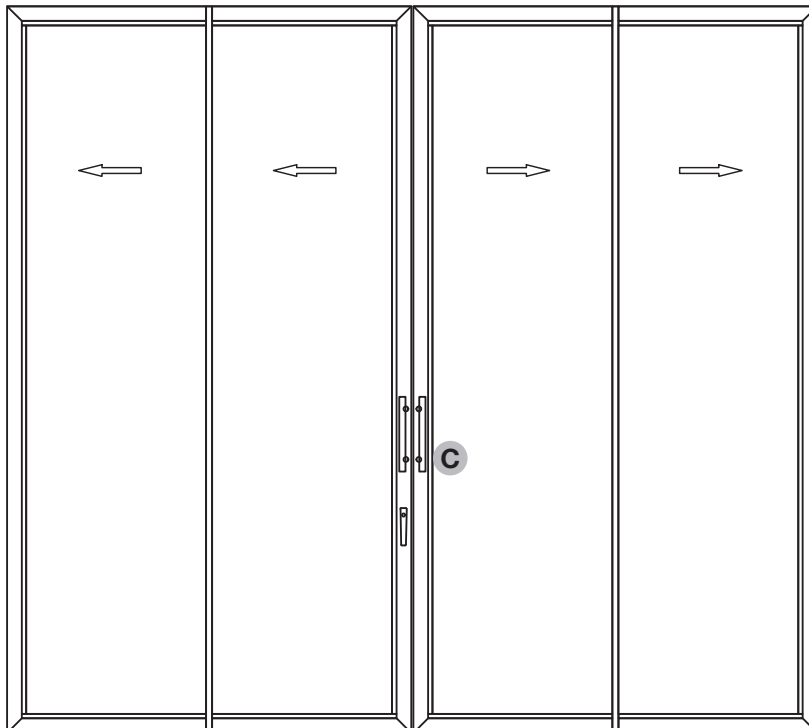
Max Panel Weight:	800 lbs	Min Panel Height:	24"
Min Panel Width:	24"	Max Panel Height:	168"
Max Panel Width:	84"	Max # of Panels:	8

OVERVIEW DIAGRAM

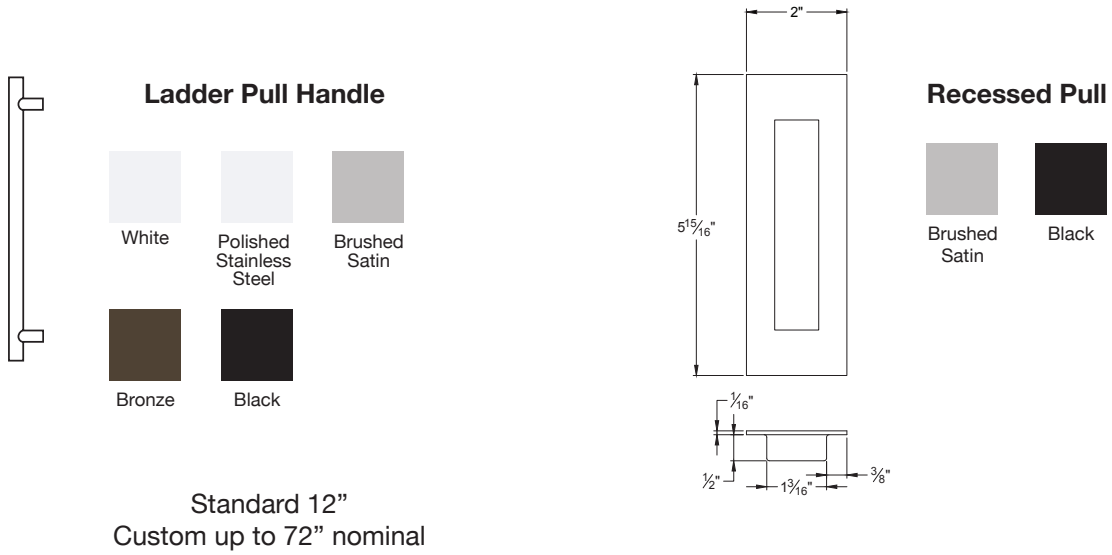
Interior View



Exterior View

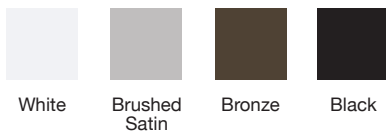


HANDLES

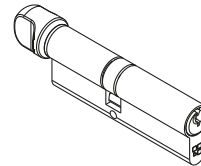


LOCKS

Twinpoint Lever



Thumb Turn



62mm Double Sided
Key / Thumb Turn
Use: Standard Option
Finish: Raw

CONFIGURATIONS

OXX



O = FIXED PANEL
X = ACTIVE PANEL

OXXX



OXX-XXO



XXXXX



OX-XXXO



OXX-XXXXO

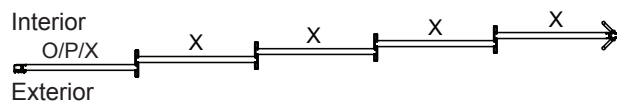


XXX-XXX

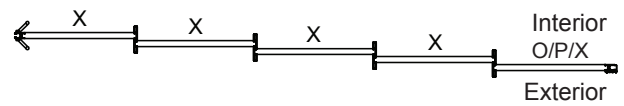


ORIENTATION

Standard Left Component

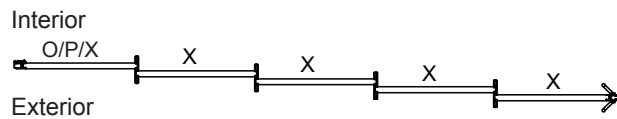


Standard Right Component

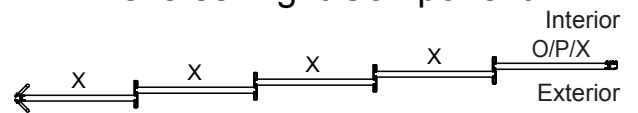


Outside/exterior pockets are always reversed stacks.

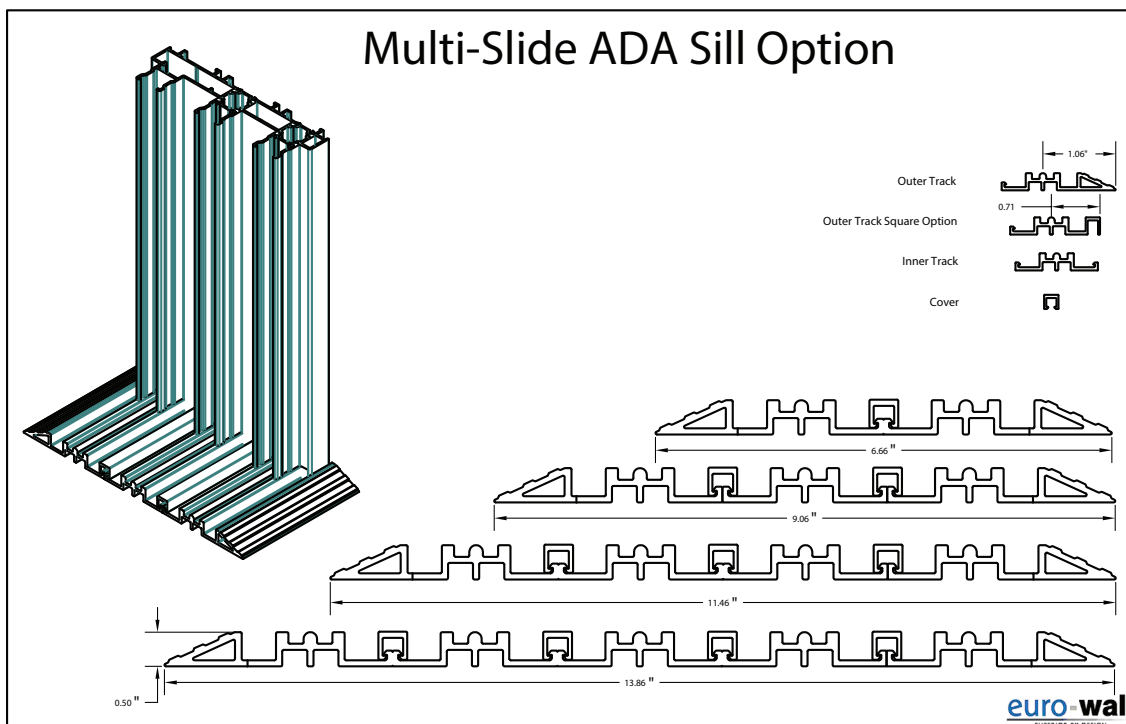
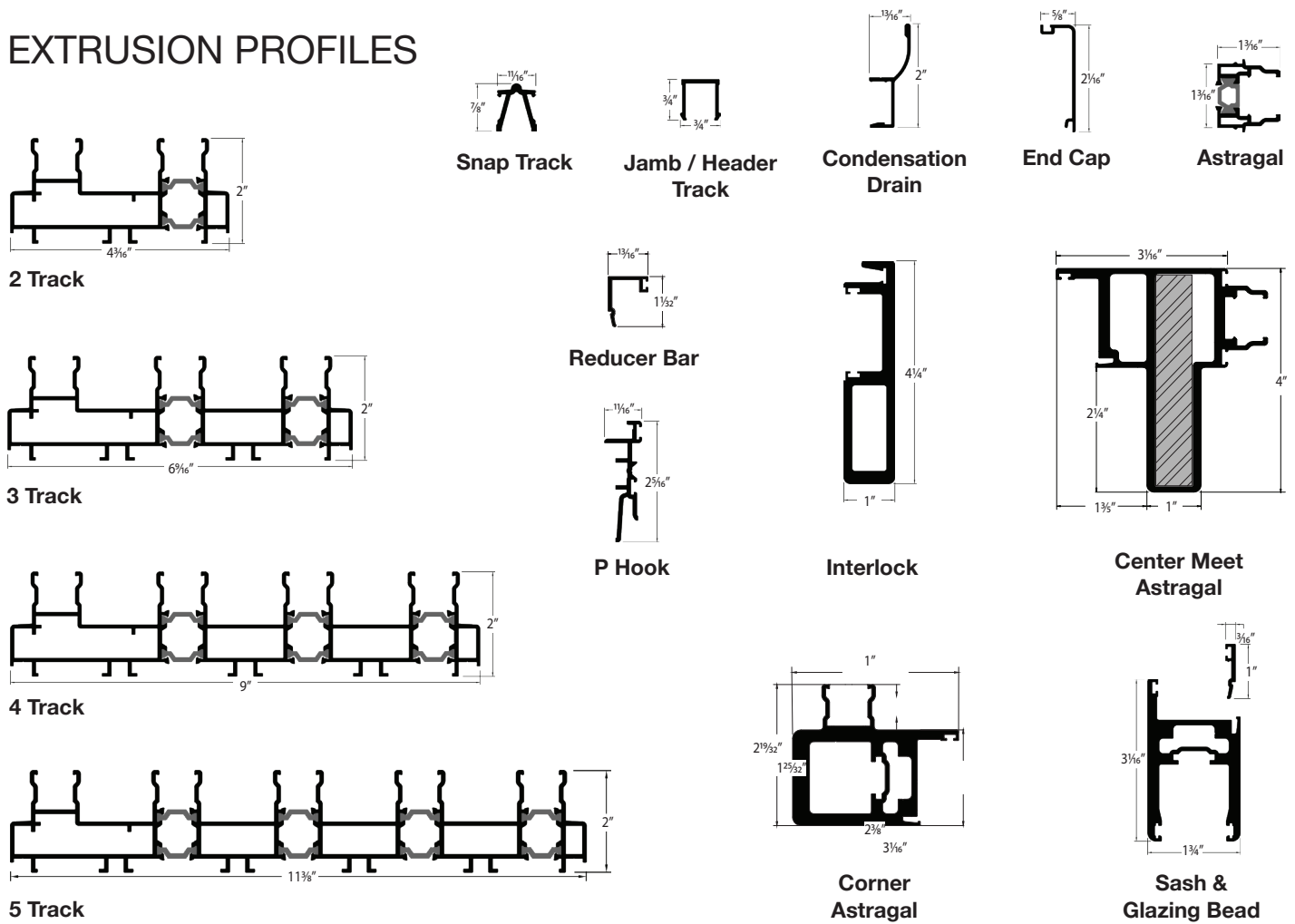
Reverse Left Component



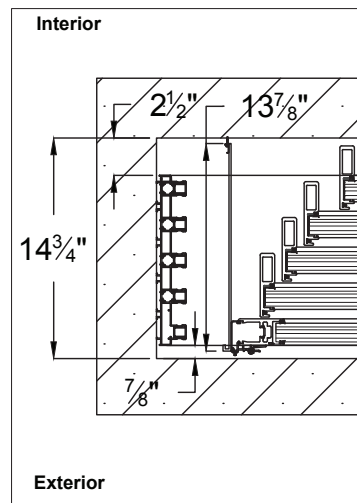
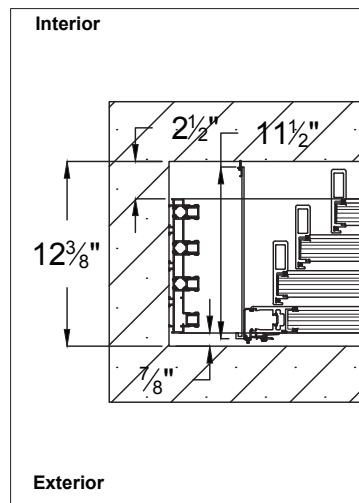
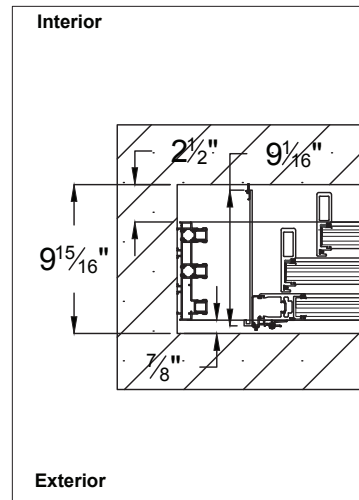
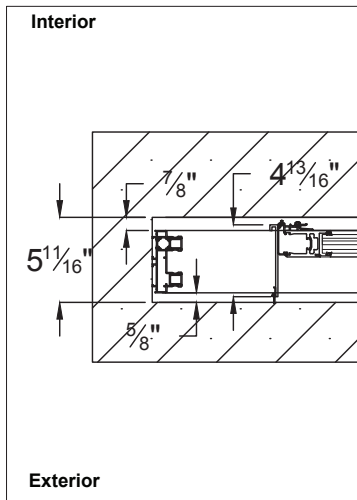
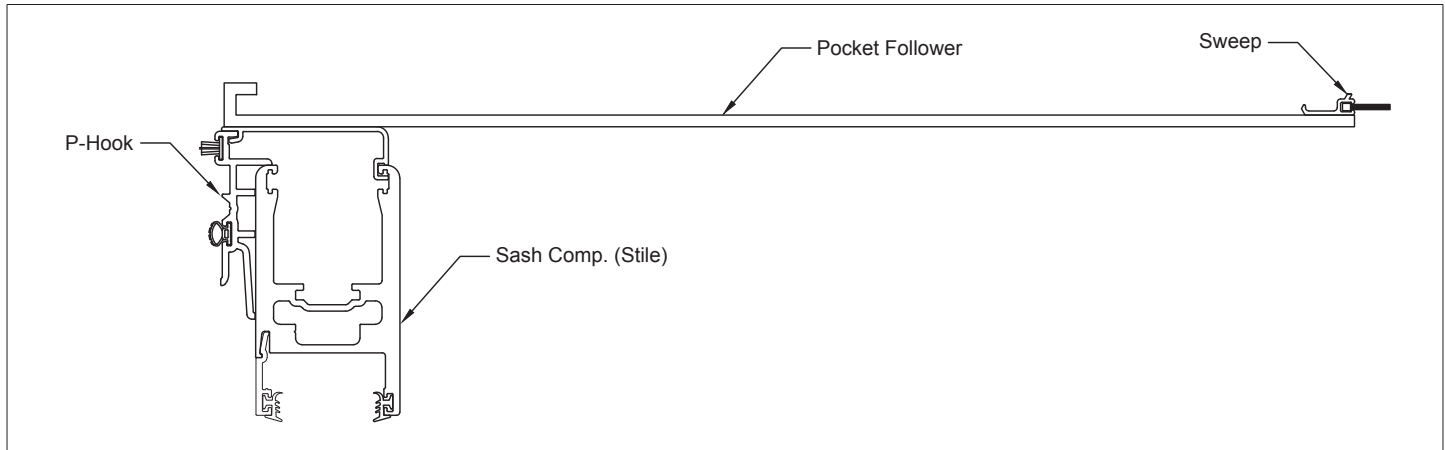
Reverse Right Component



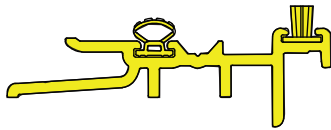
EXTRUSION PROFILES



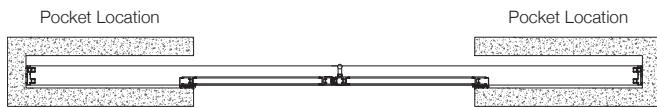
POCKETS



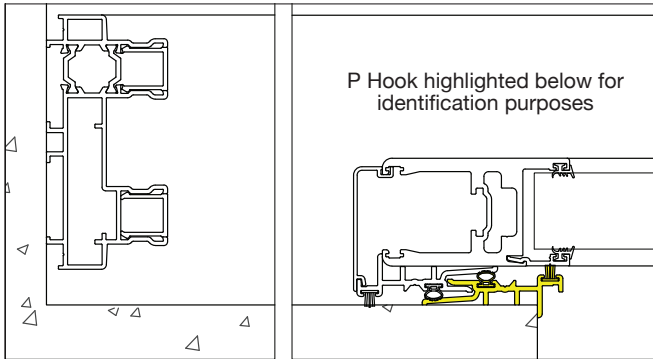
Pocket Installation Method 1



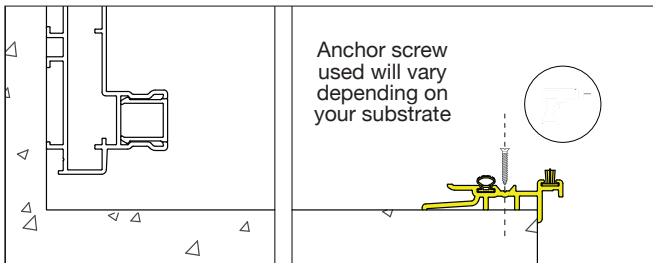
P Hook - Profile View



Fully Close and Secure Panels

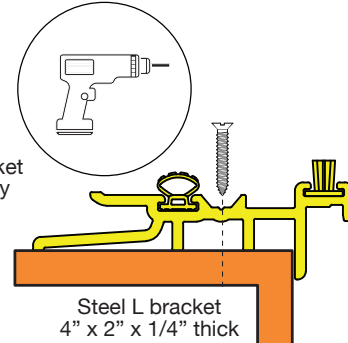


Dry Fit Interlock and Mark Position

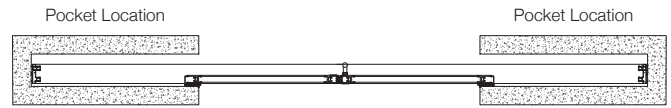


Anchor / Secure P Hook

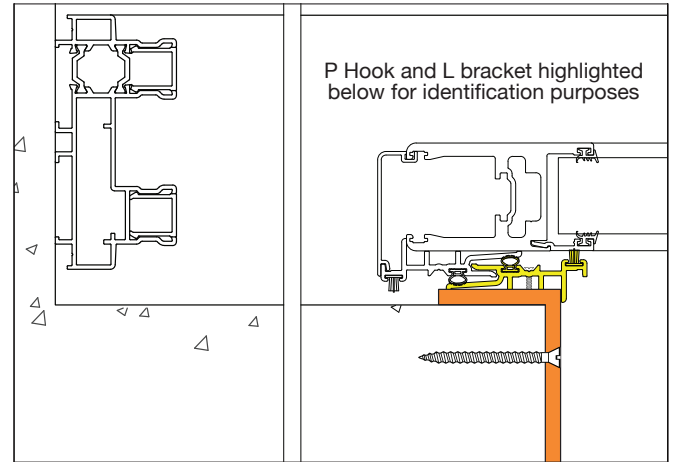
Pocket Installation Method 2



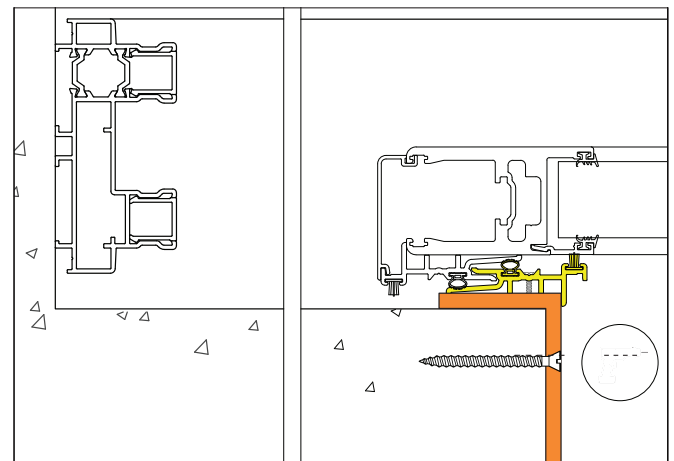
Steel L Bracket



Fully Close and Secure Panels



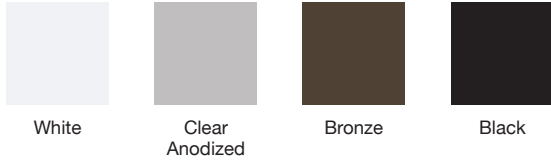
Dry Fit Interlock



Anchor / Secure P Hook - L Bracket

FINISH OPTIONS

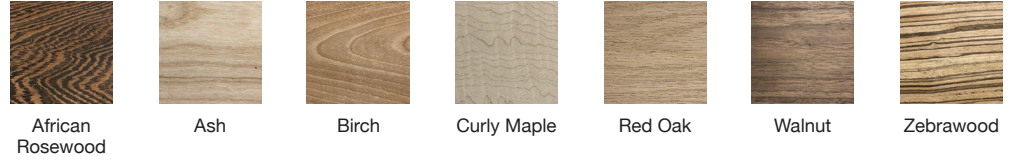
Standard Finishes



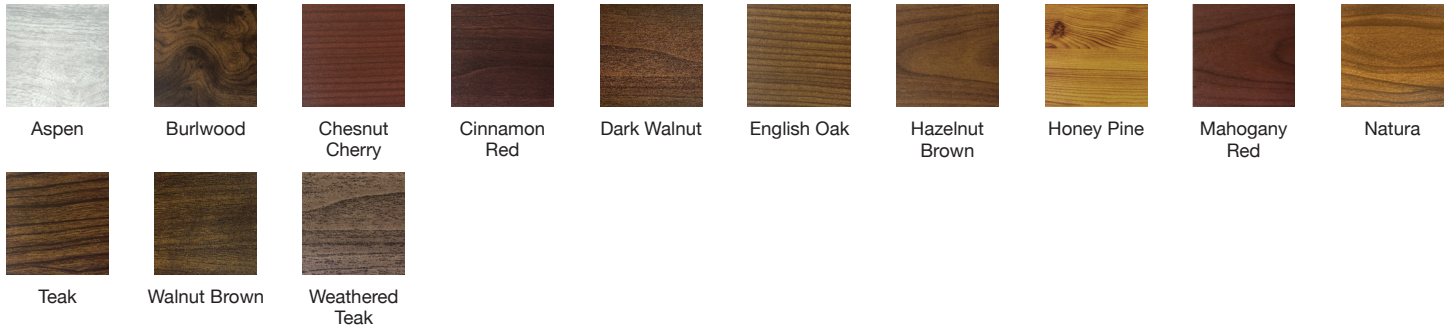
Standard Wood Finishes



Exotic Wood Finishes

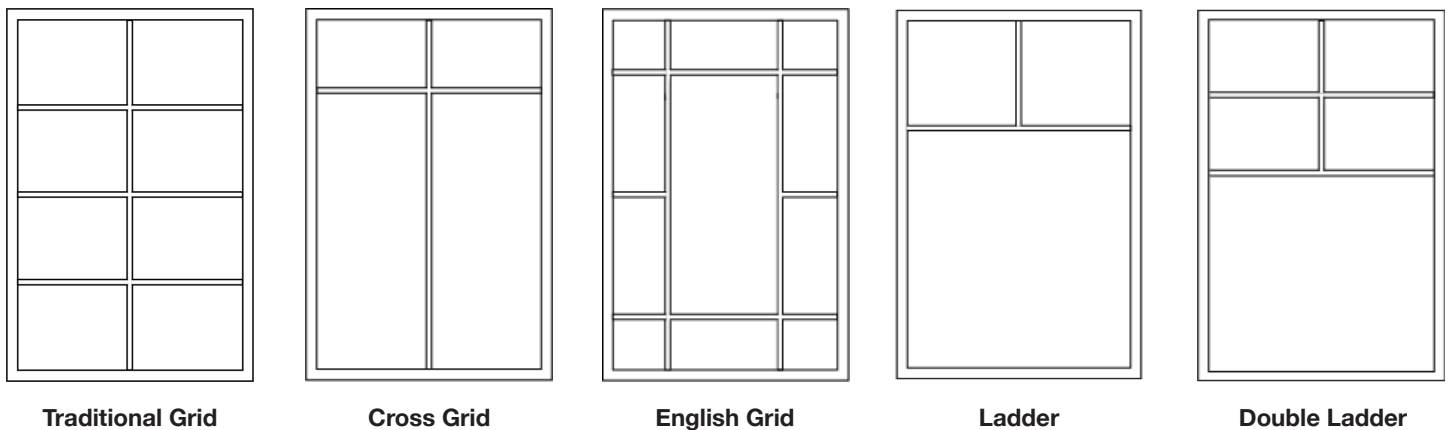


Faux Wood Grain Finishes

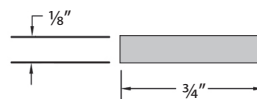


COMMON GRID & MUNTIN OPTIONS

These muntin configurations are just a few examples of the numerous possibilities. All configurations are available in aluminum or wood.



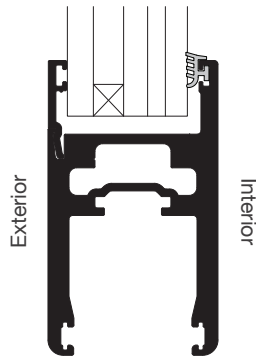
3/4" Flat Muntin



GLAZING DETAILS

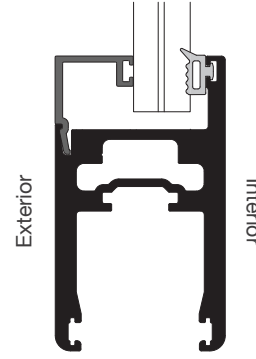
1 1/4" Insulated Impact Glass

Sash & Glazing Bead

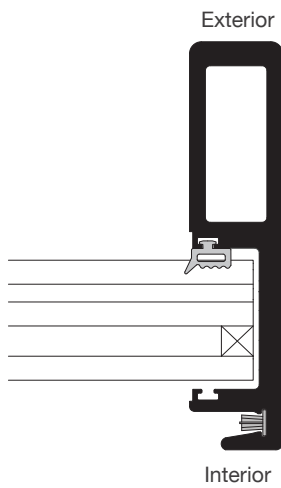


9/16" Monolithic Impact Glass

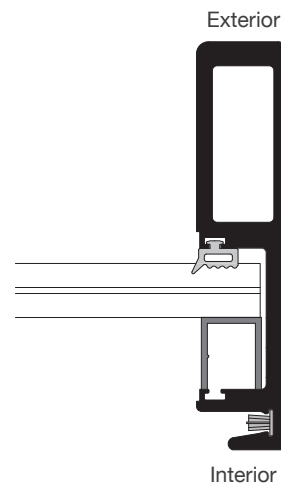
Sash & Glazing Bead



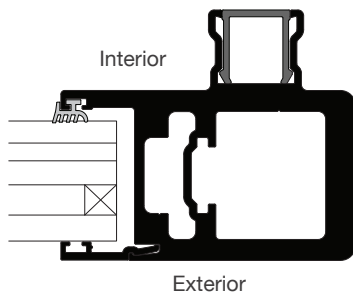
Interlock



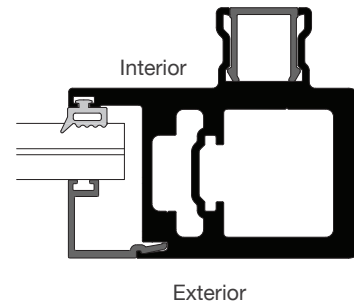
Interlock



MS Corner Astragal (Outside)

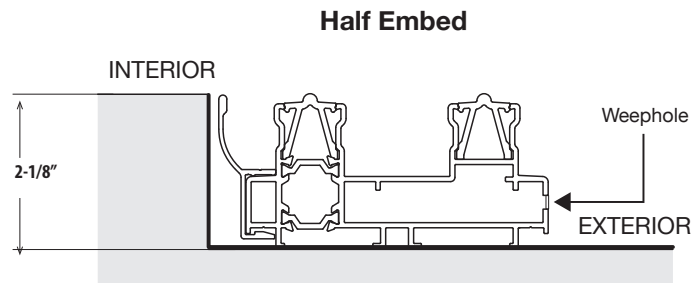
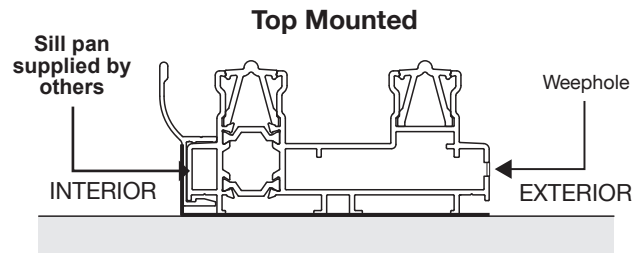


MS Corner Astragal (Outside)

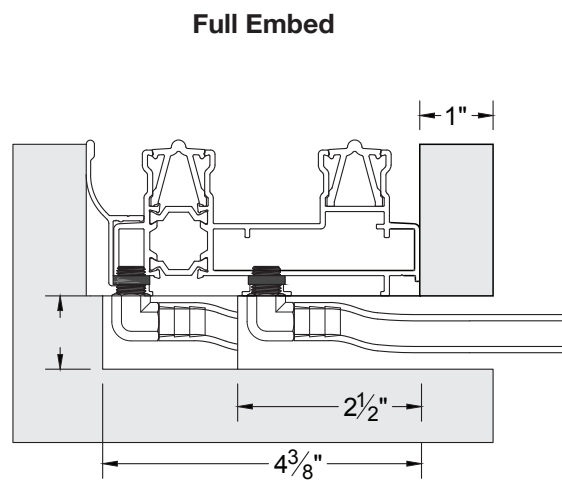


EMBED OPTIONS

**Embed Options
With Water Management**

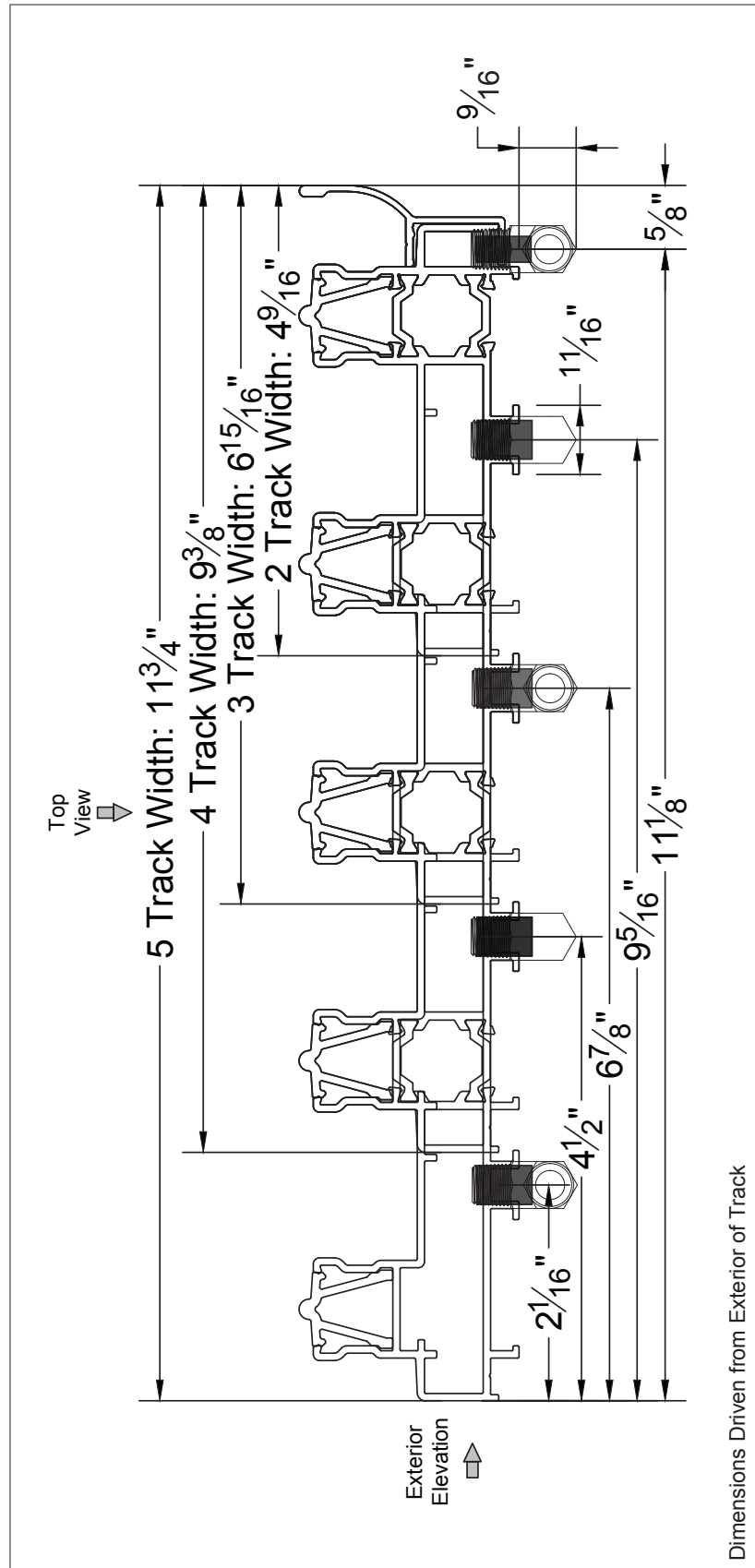


NOTE: Exterior slope must be 1" drop in elevation for every linear foot

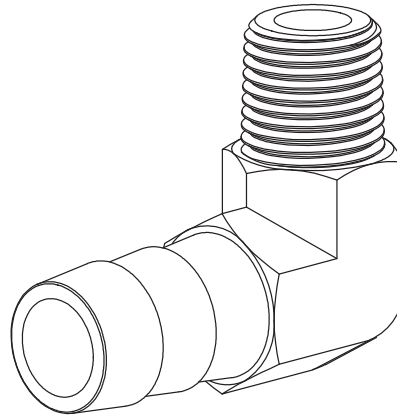


WATER MANAGEMENT

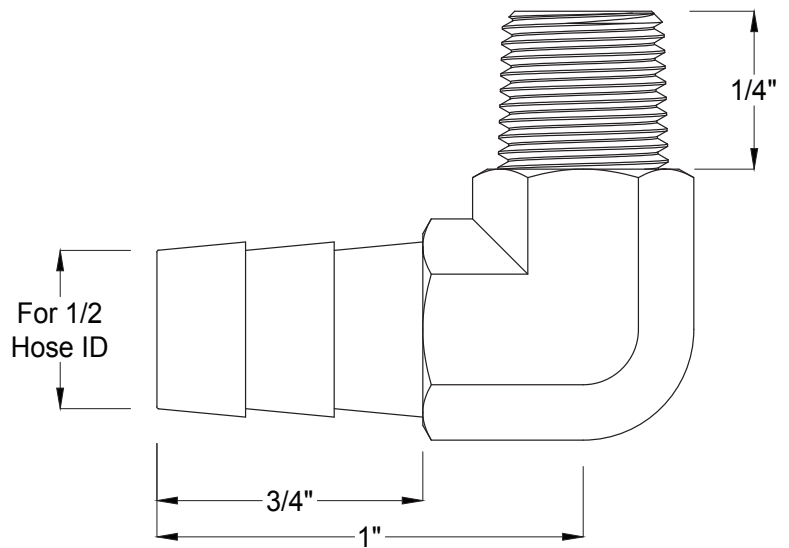
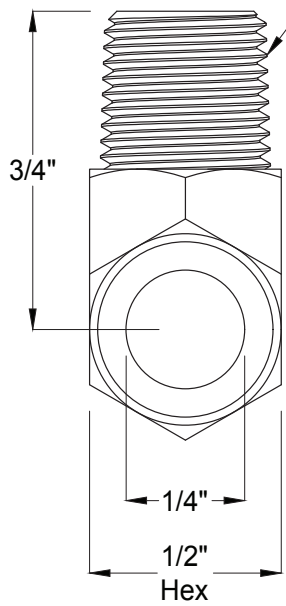
**Full Embed MS/L&S
Water Management System**



Full Embed MS/L&S
Water Management System

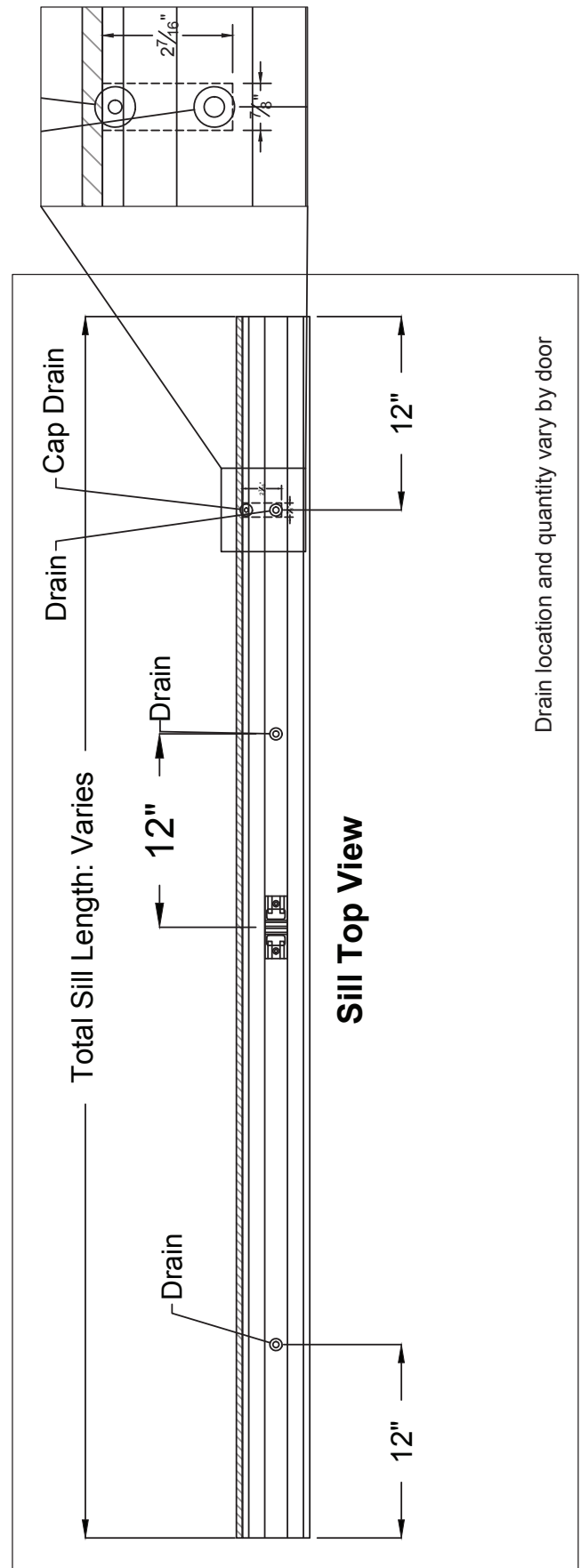
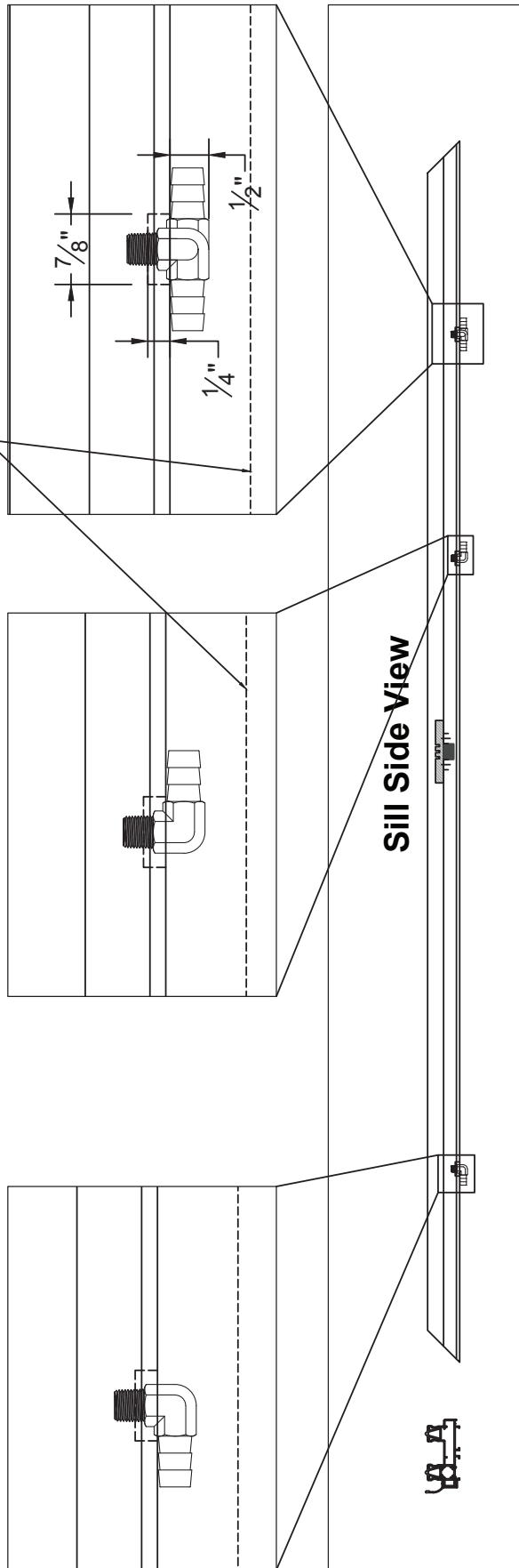


1/4 NPTF Pipe Size, 18 Threads Per Inch,
 0.40" Thread Engagement



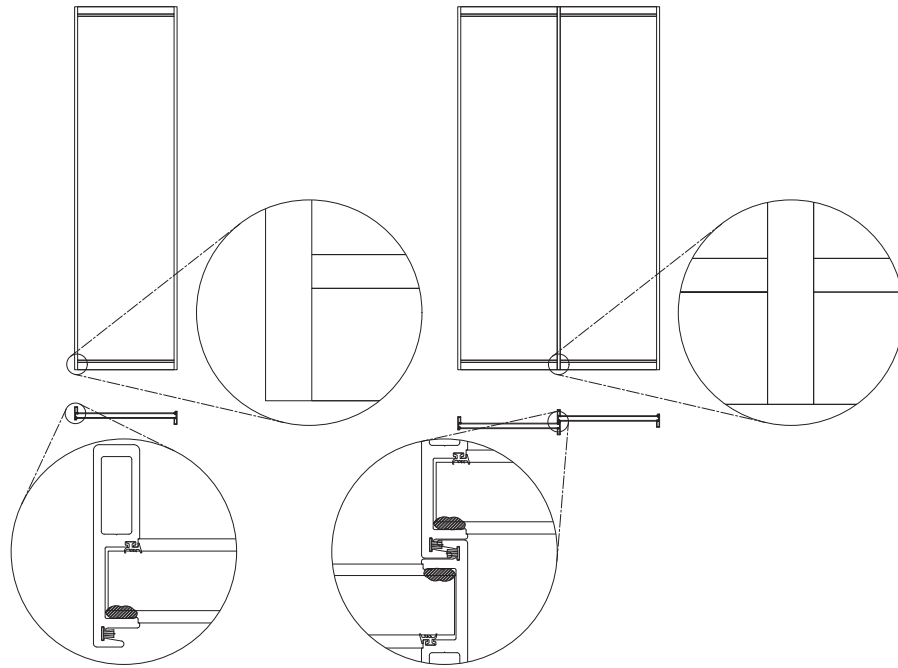
**Full Embed MS/L&S
Water Management System**

For fully embedded applications, trench /
dap-out to a minimum depth of 1" to allow for
drainage tube clearance.

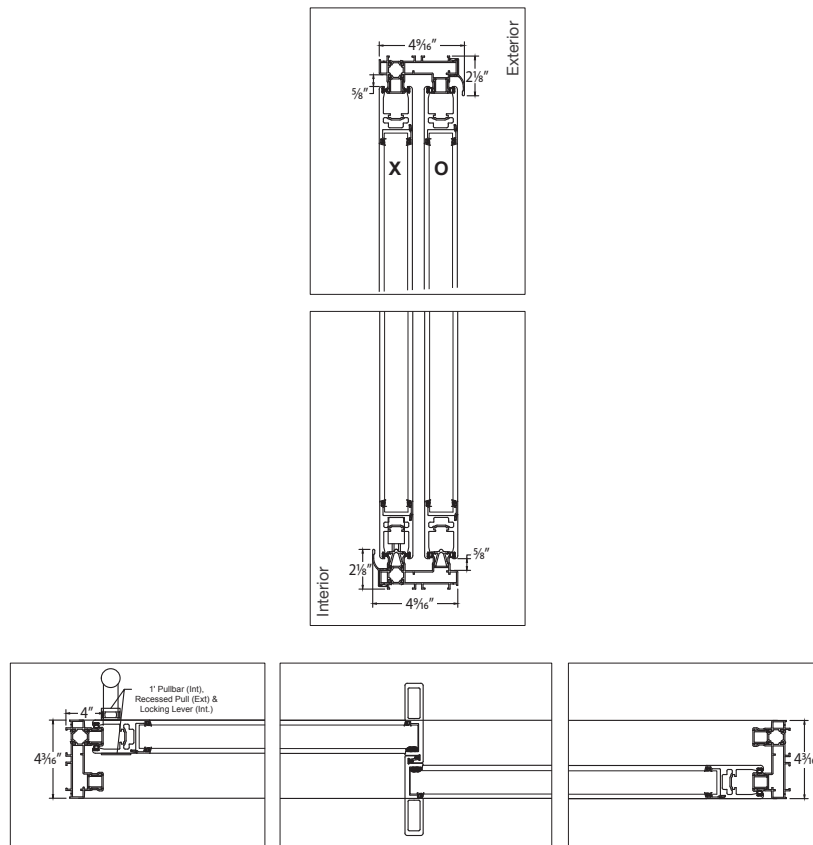


Drain location and quantity vary by door

INTERLOCK DETAILS



ELEVATION DETAILS



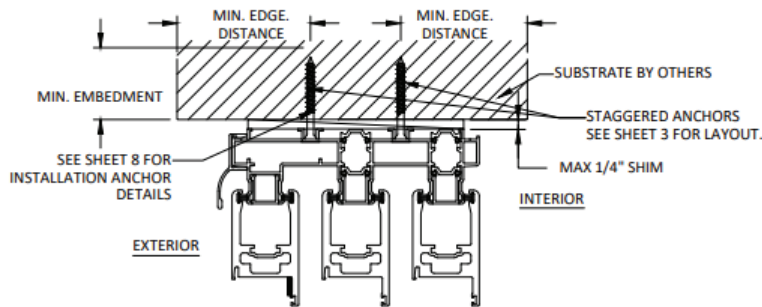
ANCHOR DETAILS

Anchor Installation Notes

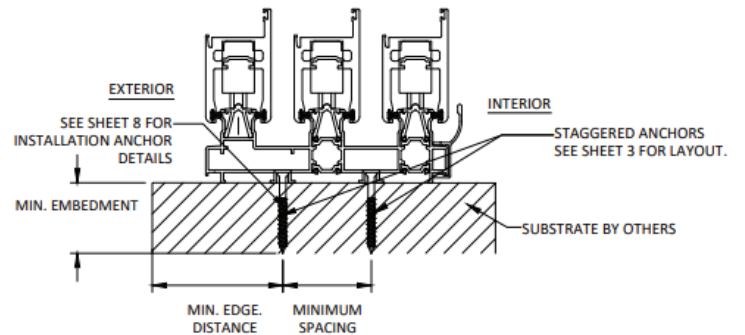
1. One installation anchor is required at each anchor location shown unless specified in the anchor schedule. Two installation anchors at the jambs.
2. The number of installation anchors depicted is the minimum number of anchors to be used for product installation of the maximum size listed.
3. Install individual installation anchors within a tolerance of $\pm 1/2"$ the depicted location & spacing in the anchor layout details. (I.E., without consideration of tolerances). Tolerances are not cumulative from one installation anchor to the next.
4. Shim as required at each installation anchor with load bearing shim(s). Maximum allowable shim stack to be $1/4"$. Shim where space of $1/16"$ or greater occurs. Shim(s) shall be constructed of high density plastic or better.
5. For masonry or concrete openings, 1x wood buck may be used (optional as long as the minimum embedment and edge

- distance requirements are still met within the corresponding host substrate).
6. Minimum embedment and edge distance exclude wall finishes, including but not limited to stucco, foam, brick veneer and siding.
7. Installation anchors and associated hardware must be made of corrosion resistant material or have a corrosion resistant coating.
8. For hollow block and grout filled block, do not install installation anchors into mortar joints. Edge distance is measured from free edge of block or edge of mortar joint into face shell of block.
9. Installation anchors shall be installed in accordance with anchor manufacturer's installation instructions, and anchors shall not be used in substrates with strengths less than the minimum strength specified by the anchor manufacturer.

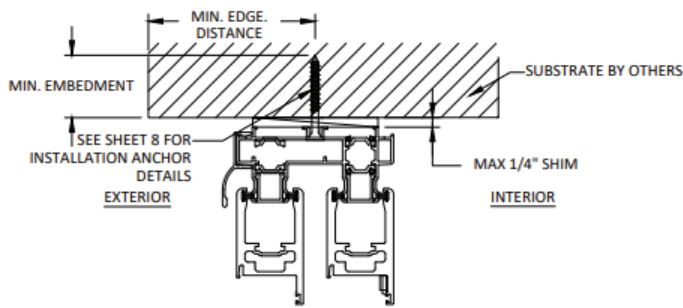
ANCHOR SCHEDULE				
METHOD	SUBSTRATE	ANCHOR SCHEDULE	MIN EMBEDMENT	MIN EDGE DISTANCE
Through Frame	Wood: Min. SG = 0.55	#14 Wood Screw	1.5"	0.75"
	Metal: 18 Gauge Steel Min. Fy= 33KSI	#12 Self Drilling or Self Tapping Screw	3 Threads Min. Penetration Beyond Metal	0.50"
	Metal: 1/8" Min. Thickens Aluminum Min. 6063-T5			
	Concrete: f'c = 3000PSI	1/4" ITW Tapcon	1.25"	2.00"
	Masonry: CMU per ASTM C90	1/4" ITW Tapcon	1.25"	2.00"



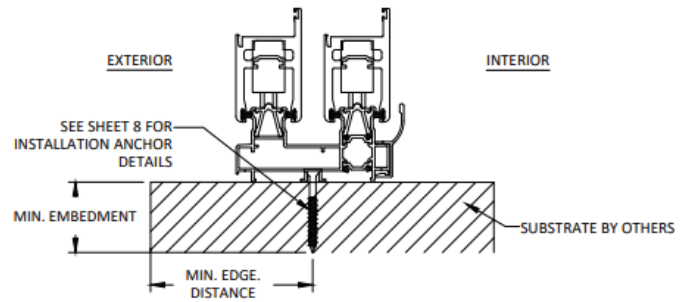
A
7 ANCHOR DETAIL
 THROUGH FRAME INSTALLATION (HEAD)
 3 TRACKS



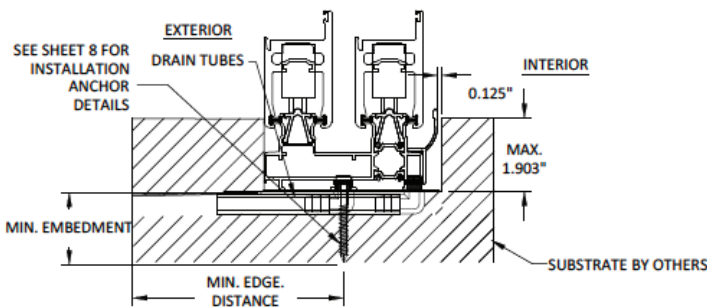
B
7 ANCHOR DETAIL
 THROUGH FRAME INSTALLATION (SILL)
 3 TRACKS



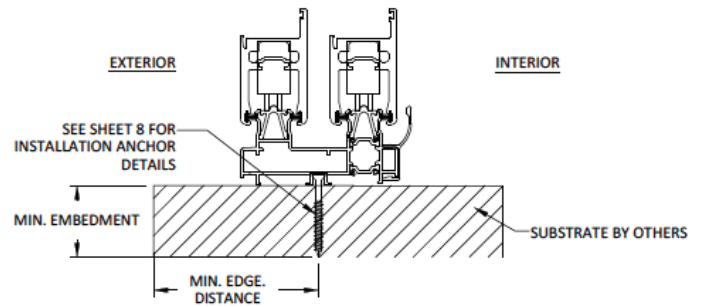
C
7 ANCHOR DETAIL
 THROUGH FRAME INSTALLATION (HEAD)
 2 TRACKS



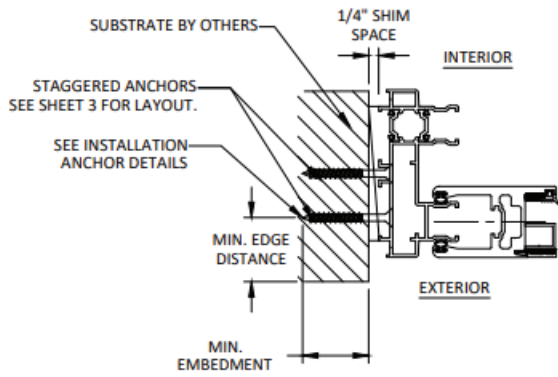
D
7 ANCHOR DETAIL
 THROUGH FRAME INSTALLATION (HEAD)
 2 TRACKS



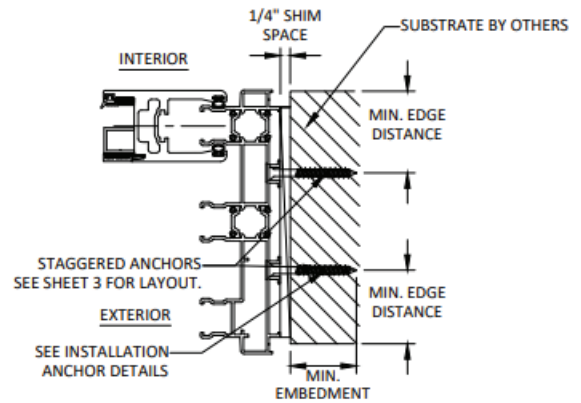
E
7 ANCHOR DETAIL
 THROUGH FRAME INSTALLATION (HEAD)
 2 TRACKS



F
7 ANCHOR DETAIL
 THROUGH FRAME INSTALLATION (SILL)
 2 TRACKS

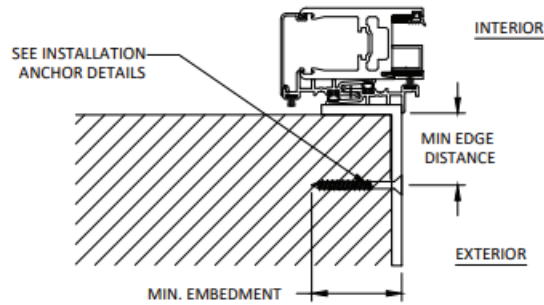


A
8
ANCHOR DETAIL
THROUGH FRAME (JAMB)
2 TRACK



B
8
ANCHOR DETAIL
THROUGH FRAME (JAMB)
3 TRACK

ANCHOR FOR WALL BRACKET TO BE LOCATED AT A MAXIMUM OF 4" FROM THE CORNER AND MAXIMUM OF 12" O.C. SPACING

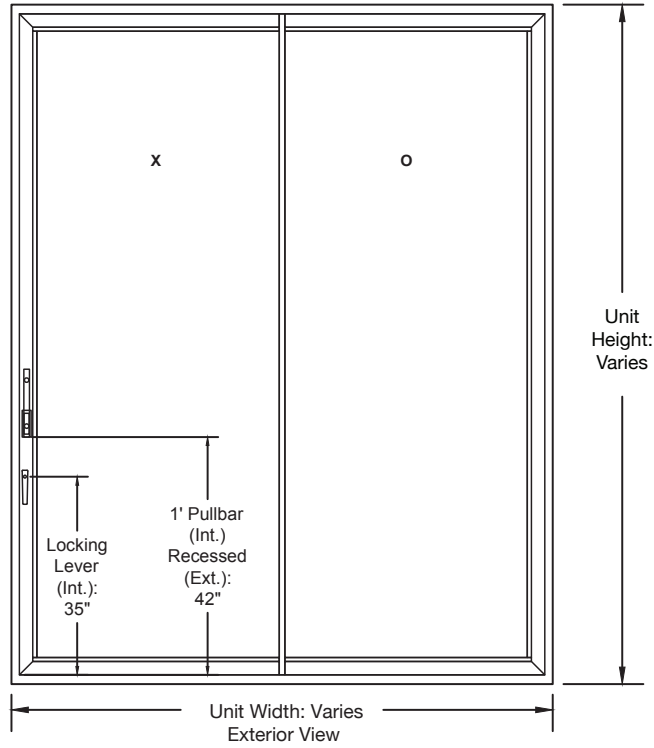


C
8
ANCHOR DETAIL
POCKET BRACKET INSTALLATION

XO Configuration

O = Fixed Panel
X = Active Panel

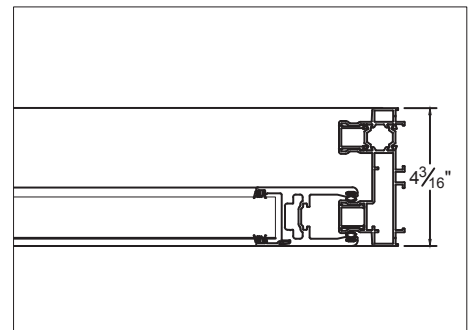
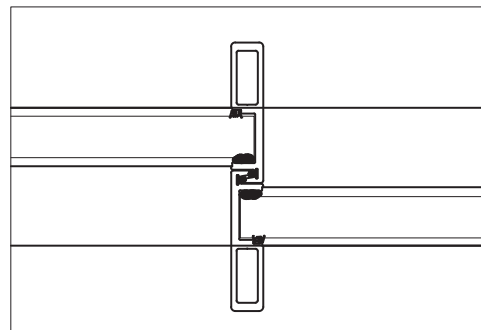
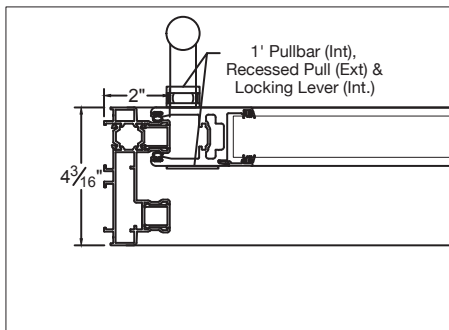
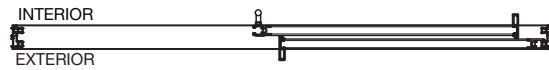
Hardware locations shown are standard. Locations may vary depending upon request or panel height.



EXTERIOR ELEVATION



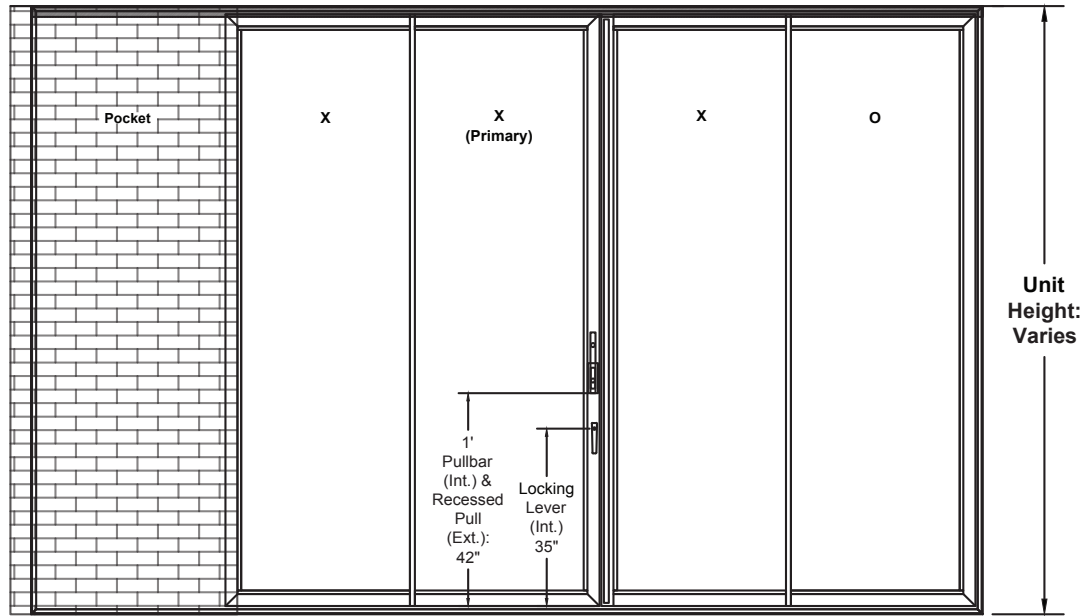
HORIZONTAL CROSS-SECTION



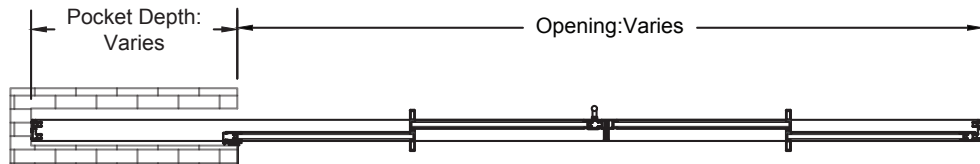
PXX-XO Configuration

O = Fixed Panel
X = Active Panel

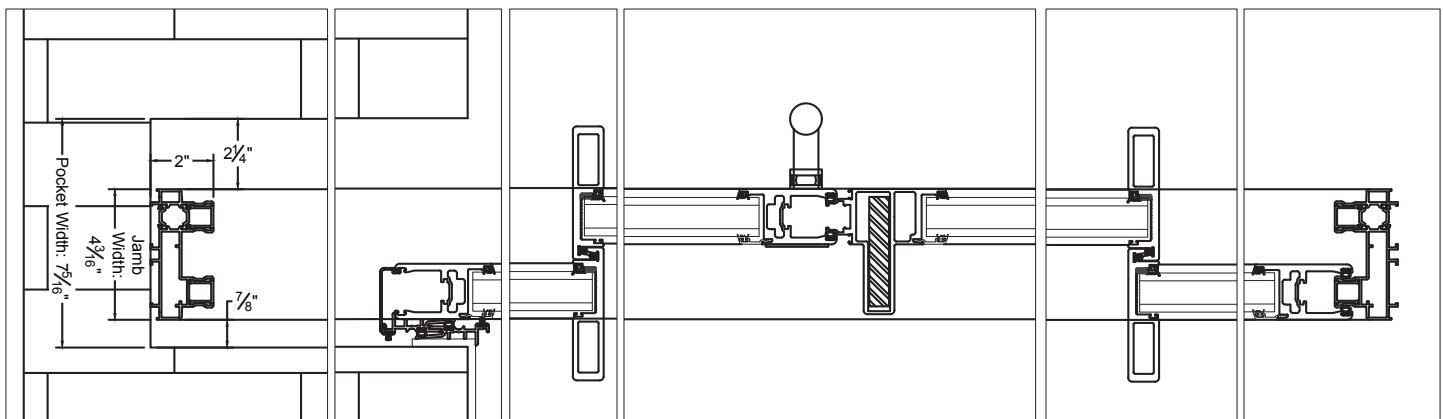
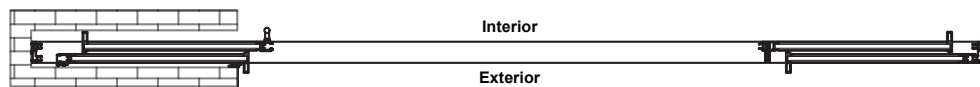
Hardware locations shown are standard. Locations may vary depending upon request or panel height.



EXTERIOR ELEVATION



HORIZONTAL CROSS SECTION



DESIGN PRESSURE CHART

WZ3 Panel Width (Inches)

	45	48	51	54	57	60	63	66	69	72	75	78	81	84	
Panel Height (Inches)	90	120	120	120	120	120	120	120	120	120	120	120	120	120	119
	96	120	120	120	120	120	120	120	120	120	120	120	108	107	106
	102	120	120	120	120	120	120	120	120	120	101	99	98	97	95
	108	120	120	120	120	120	120	120	120	95	93	91	89		
	114	120	120	120	120	120	120	120	89.6	87.3	85.3	83.5			
	120	120	120	120	120	120	120	85.9	83.4	81.2	79.2				
	126	120	120	117.6	112	107.1	83.1	80.4	78						
	132	113.7	107.3	101.7	96.8	81.2	78.2	75.6							
	138	99.1	93.5	88.5	79.9	76.7	73.9								
	144	87.6	83.1	79.2	75.8	72.7	70								
	150	79.8	75.2	71.1	67.6	64.4									
	156	70.7	66.6	63	59.8										
	162	63	59.3	56.1											
	168	56.4	53.1	50.2											

HVHZ Panel Width (Inches)

	45	48	51	54	57	60	63	66	69	72	75	78	81	84	
Panel Height (Inches)	92	120	120	120	120	120	120	120	120	120	120	120	120	115	114
	96	120	120	120	120	120	120	120	120	120	120	120	108	107	106
	100	120	120	120	120	120	120	120	120	120	120	103	101	100	99
	104	120	120	120	120	120	120	120	120	120	98	96	95	94	
	108	120	120	120	120	120	120	120	120	94.4	92.4	90.6	89		
	112	120	120	120	120	120	120	120	91.8	89.5	87.5	85.7			
	116	120	120	120	120	120	120	89.9	87.4	85.1	83.1				
	120	120	120	120	120	120	120	85.9	83.4	81.2	79.2				
	124	120	120	120	117.8	112.6	84.9	82.2	79.7	77.5					
	128	120	118.1	112	106.6	84.4	81.4	78.8	76.4						
	132	113.7	107.3	101.7	96.8	81.2	78.2	75.6							
	136	103.7	97.8	92.7	81.3	78.1	75.3	72.7							
	140	94.8	89.4	84.7	78.5	75.3	72.5								
	144	87.6	83.1	79.2	75.8	72.7	70								

TEST PERFORMANCE RESULTS

- Approved for use in Miami-Dade HVHZ Zone
- Florida Building Code Approved Product Approval FL 27423
- AAMA 440 - PASS
- ASTM E1300 - PASS
- NAFS - 08 - PASS
- WDMA/CSA101 - PASS
- Up to 120 DP
- Tested for use in Florida
- Impact 1886 & 1996
- TAS 201, 202, 203 (Miami Dade)



EURO-WALL 10 YEAR WARRANTY

Euro-Wall warrants the products to be free from manufacturing defects for a period of 10 years from the date of purchase.

888.989.EURO (3876)

www.euro-wall.com

MANUFACTURING

2200 Murphy Court
North Port, Florida 34289
888.989.3876 • 941.979.5316



SHOWROOM

1211 Stirling Road, Unit 102,
Dania Beach, Florida 33004
954.610.2572

Proud Member of the American Architectural Manufacturers Association.

