

- APPROVED CONFIGURATIONS:  
2 PANEL - OX, XO, XX  
3 PANEL - OOX, XOO, XO, OXO, XXO, OXX, XXX  
4 PANEL - OXXO, OXXX, XXO, XXOO, XOOX, OOX, XXXX  
5 PANEL - XXOOO, OOOXX, XXXXX, OXXXX, XXXXO  
6 PANEL - OXXXXO, OXXXXP, XXXXXX, XXXOOO, OOOXXX, OOOXOO, XOOOXX, XXXXO, OXXXX, XXXXX  
7 PANEL - XXXXXXX, OXXXXXX, XXXXXO, OXXXXO  
8 PANEL - OXXXXXXO, OXXXXXX, XXXXXO, XXXXXXX

- POCKETS ARE QUALIFIED ON ANY CONFIGURATION.
- POCKETS ARE QUALIFIED FOR INSTALLATION ON EITHER SIDE OF THE SYSTEM. POCKETS ARE QUALIFIED TO BE USED ON BOTH SIDE AT THE SAME TIME.

**NOTE**  
1) MAXIMUM FRAME AREA = 628 SQUARE FEET.  
2) MAXIMUM OF 4 PANEL CONNECTED TO CORNER UNIT ON EACH SIDE.

DESIGN PRESSURE TABLE (+/- PSF)

		TRIBUTARY WIDTH (INCHES)													
		45	48	51	54	57	60	63	66	69	72	75	78	81	84
PANEL HEIGHT (INCHES)	90	120.0	120.0	120.0	120.0	120.0	120.0	120.0	120.0	120.0	120.0	120.0	120.0	120.0	119.0
	96	120.0	120.0	120.0	120.0	120.0	120.0	120.0	120.0	120.0	120.0	120.0	108.0	107.0	106.0
	102	120.0	120.0	120.0	120.0	120.0	120.0	120.0	120.0	120.0	120.0	101.0	99.0	98.0	97.0
	108	120.0	120.0	120.0	120.0	120.0	120.0	120.0	120.0	120.0	95.0	93.0	91.0	89.0	
	114	120.0	120.0	120.0	120.0	120.0	120.0	120.0	120.0	89.6	87.3	85.3	83.5		
	120	120.0	120.0	120.0	120.0	120.0	120.0	85.9	83.4	81.2	79.2				
	126	120.0	120.0	117.6	112.0	107.1	83.1	80.4	78.0						
	132	113.7	107.3	101.7	96.8	81.2	78.2	75.6							
	138	99.1	93.5	88.5	79.9	76.7	73.9								
	144	87.6	83.1	79.2	75.8	72.7	70.0								
	150	79.8	75.2	71.1	67.6	64.4									
	156	70.7	66.6	63.0	59.8										
	162	63.0	59.3	56.1											
168	56.4	53.1	50.2												

TITLE: MS MULTI-SLIDE SYSTEM (WZ3) (IMPACT)

DESIGN PRESSURE TABLES

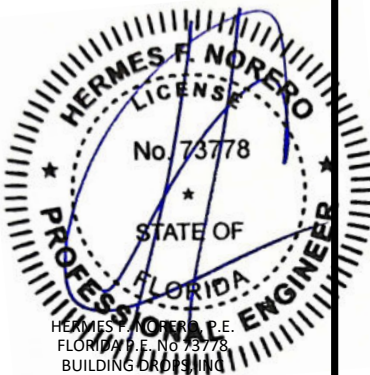
PREPARED BY: BUILDING DROPS, INC.

398 E. DANIA BEACH BLVD., STE. 338  
DANIA BEACH, FL 33004  
PH: (954)399-8478  
FAX: (954)744-4738  
WEB: www.buildingdrops.com



REMARKS	BY	DATE
INSIDE CORNER UPDT.	LL	01/22
ADD-ON TRACK UPDT	LL	05/22
CORNER UNIT UPDATE	LL	08/22
MISC. UPDATE	OL	06/23

THE INSTALLATION DETAILS DESCRIBED HEREIN ARE GENERIC AND MAY NOT REFLECT ACTUAL CONDITIONS FOR A SPECIFIC SITE. IF SITE CONDITIONS CAUSE INSTALLATION TO DEVIATE FROM THE REQUIREMENTS DETAILED HEREIN, A LICENSED ENGINEER OR ARCHITECT SHALL PREPARE SITE SPECIFIC DOCUMENTS FOR USE WITH THIS DOCUMENT.



HERMES F. NORERO, P.E.  
FLORIDA P.E. NO. 73778  
BUILDING DROPS, INC.  
398 E. DANIA BEACH BLVD. # 338  
DANIA BEACH, FL 33004  
FBPE CERT. OF AUTHORIZATION No. 29578

FL #: **FL34003**

DATE: **11.19.20**

DWG. BY: **YC** | CHK. BY: **HFN**

SCALE: **NTS**

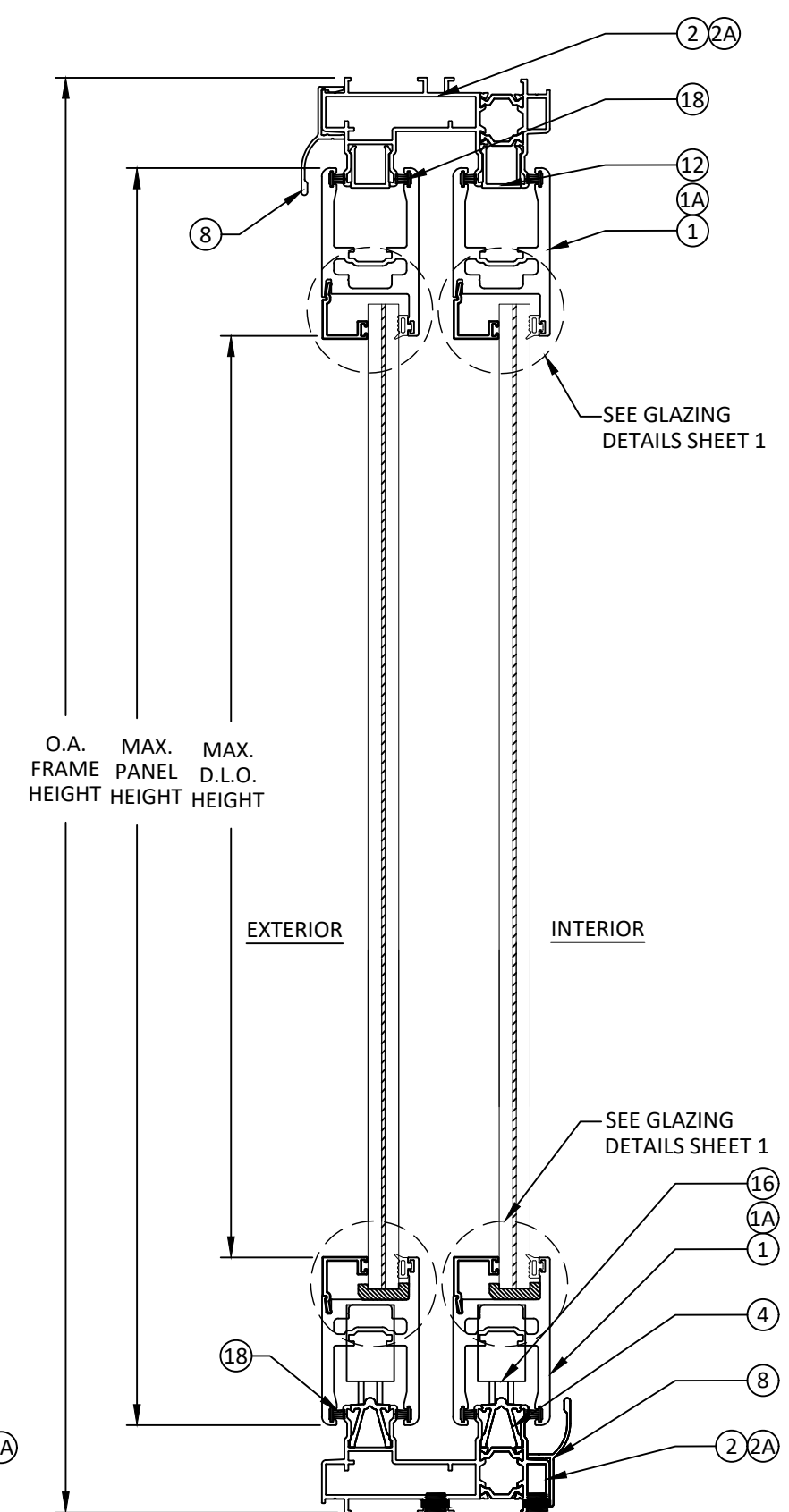
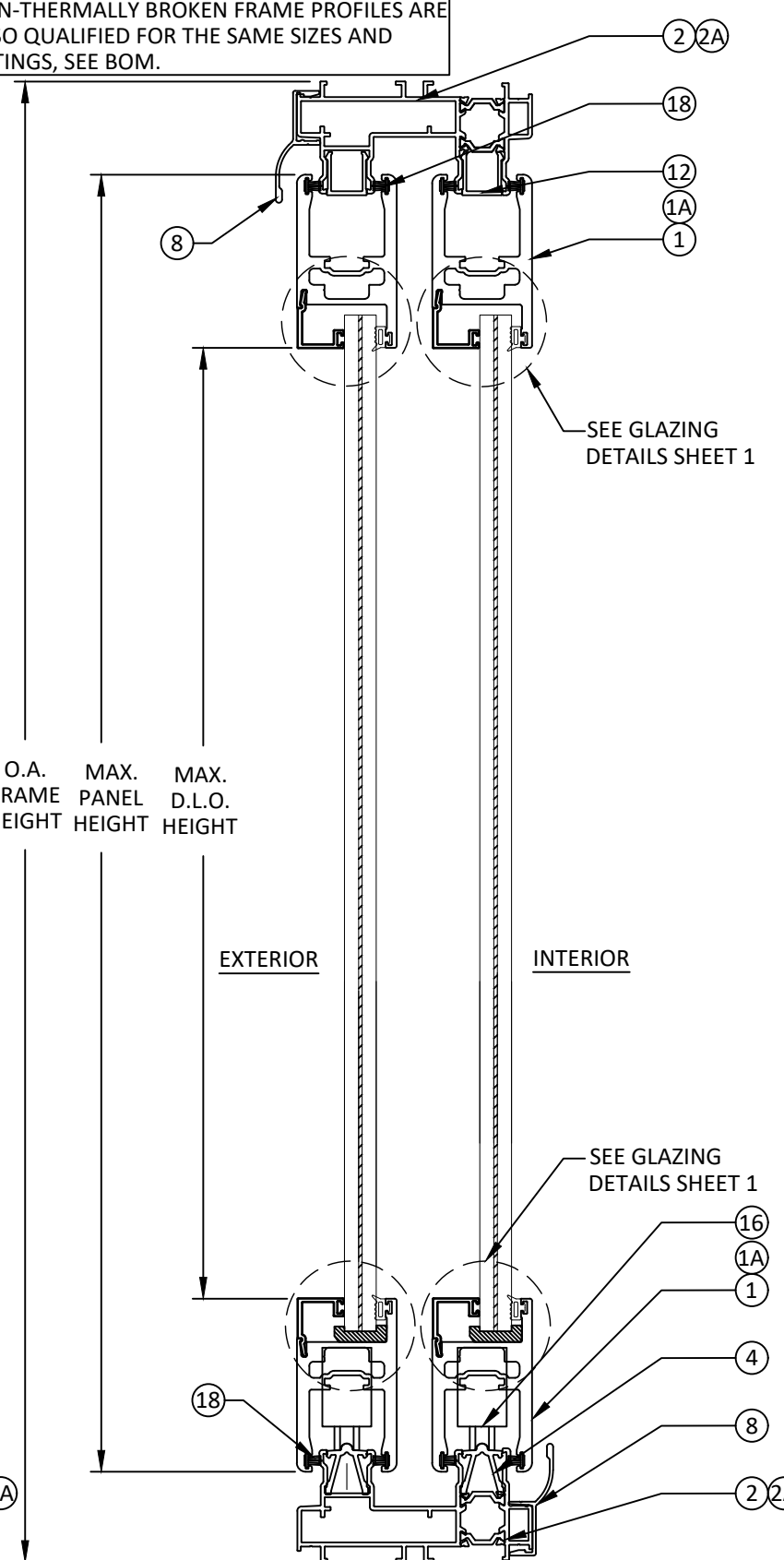
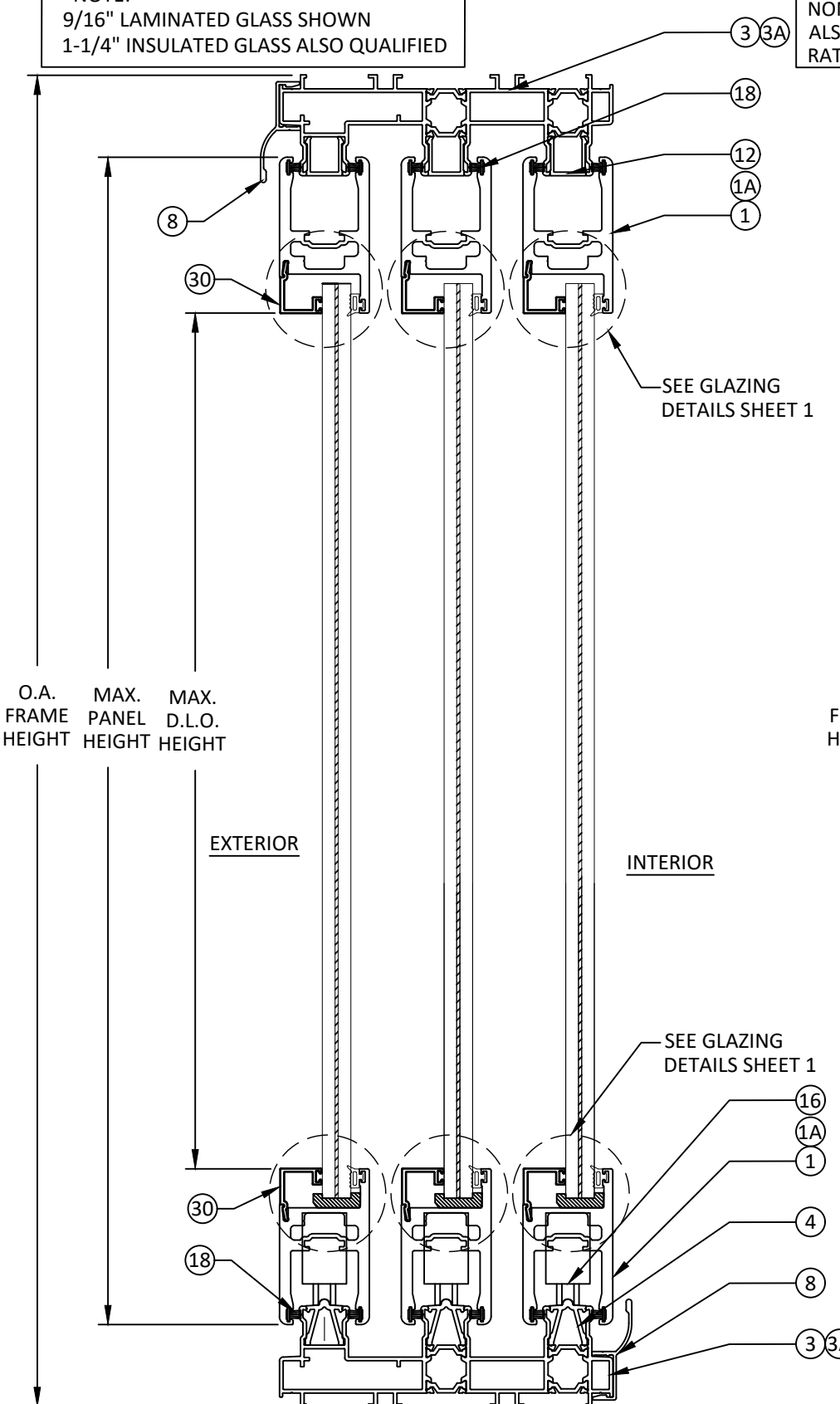
DWG. #: **EWS017**

SHEET: **4**

10/19/2023 1:06 PM  
 z:\projects\euro-wall systems\fbc-23-0818 - fbc submittal - fbc submittal - ew holdings of florida llc name change\dwgs\fb34003\ews017.dwg

\*NOTE:  
 9/16" LAMINATED GLASS SHOWN  
 1-1/4" INSULATED GLASS ALSO QUALIFIED

THERMALLY BROKEN FRAME PROFILES SHOWN,  
 NON-THERMALLY BROKEN FRAME PROFILES ARE  
 ALSO QUALIFIED FOR THE SAME SIZES AND  
 RATINGS, SEE BOM.



**A**  
**5**  
**VERTICAL SECTION**  
 SLIDING GLASS DOOR  
 3 TRACKS

**B**  
**5**  
**VERTICAL SECTION**  
 SLIDING GLASS DOOR  
 2 TRACK

**C**  
**5**  
**VERTICAL SECTION**  
 SLIDING GLASS DOOR  
 OPTIONAL SUNKEN SILL  
 2 TRACKS SHOWN, 3 TRACKS QUALIFIED

**euro-wall**  
 SUPERIOR BY DESIGN

EURO-WALL, LLC  
 P.O. BOX 8007  
 NORTH PORT, FL 34290  
 PH: 888-989-3876

TITLE: MS MULTI-SLIDE SYSTEM  
 (WZ3) (IMPACT)

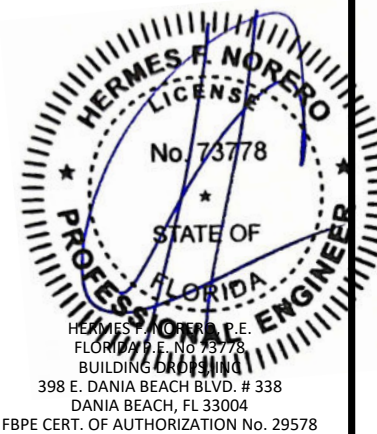
VERTICAL SECTIONS

PREPARED BY:  
**BUILDING DROPS, INC.**  
 398 E. DANIA BEACH BLVD., STE. 338  
 DANIA BEACH, FL 33004  
 PH: (954)399-8478  
 FAX: (954)744-4738  
 WEB: www.buildingdrops.com



REMARKS	BY	DATE
INSIDE CORNER UPDT.	LL	01/22
ADD-ON TRACK UPDT	LL	05/22
CORNER UNIT UPDATE	LL	08/22
MISC. UPDATE	OL	06/23

THE INSTALLATION DETAILS DESCRIBED HEREIN ARE GENERIC AND MAY NOT REFLECT ACTUAL CONDITIONS FOR A SPECIFIC SITE. IF SITE CONDITIONS CAUSE INSTALLATION TO DEVIATE FROM THE REQUIREMENTS DETAILED HEREIN, A LICENSED ENGINEER OR ARCHITECT SHALL PREPARE SITE SPECIFIC DOCUMENTS FOR USE WITH THIS DOCUMENT.



FL #: **FL34003**

DATE: **11.19.20**

DWG. BY: **YC** | CHK. BY: **HFN**

SCALE: **NTS**

DWG. #: **EWS017**

SHEET: **5**

z:\projects\euro-wall systems\fb-23-0818 - fbc submittal - fbc submittal - ew submittal - ew holdings of florida llc name change\dwgs\fb34003\ews017.dwg 10/19/2023 1:06 PM

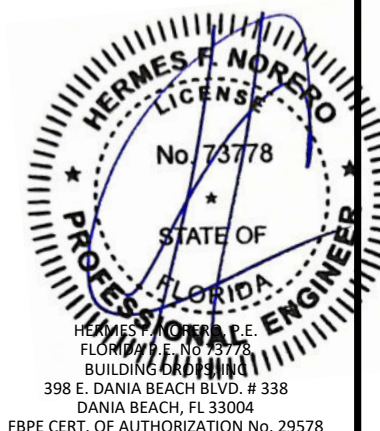
TITLE: MS MULTI-SLIDE SYSTEM (WZ3) (IMPACT)  
HORIZONTAL SECTIONS

PREPARED BY:  
**BUILDING DROPS, INC.**  
398 E. DANIA BEACH BLVD., STE. 338  
DANIA BEACH, FL 33004  
PH: (954)399-8478  
FAX: (954)744-4738  
WEB: www.buildingdrops.com



REMARKS	BY	DATE
INSIDE CORNER UPDT.	LL	01/22
ADD-ON TRACK UPDT	LL	05/22
CORNER UNIT UPDATE	LL	08/22
MISC. UPDATE	OL	06/23

THE INSTALLATION DETAILS DESCRIBED HEREIN ARE GENERIC AND MAY NOT REFLECT ACTUAL CONDITIONS FOR A SPECIFIC SITE. IF SITE CONDITIONS CAUSE INSTALLATION TO DEVIATE FROM THE REQUIREMENTS DETAILED HEREIN, A LICENSED ENGINEER OR ARCHITECT SHALL PREPARE SITE SPECIFIC DOCUMENTS FOR USE WITH THIS DOCUMENT.



FL #: **FL34003**

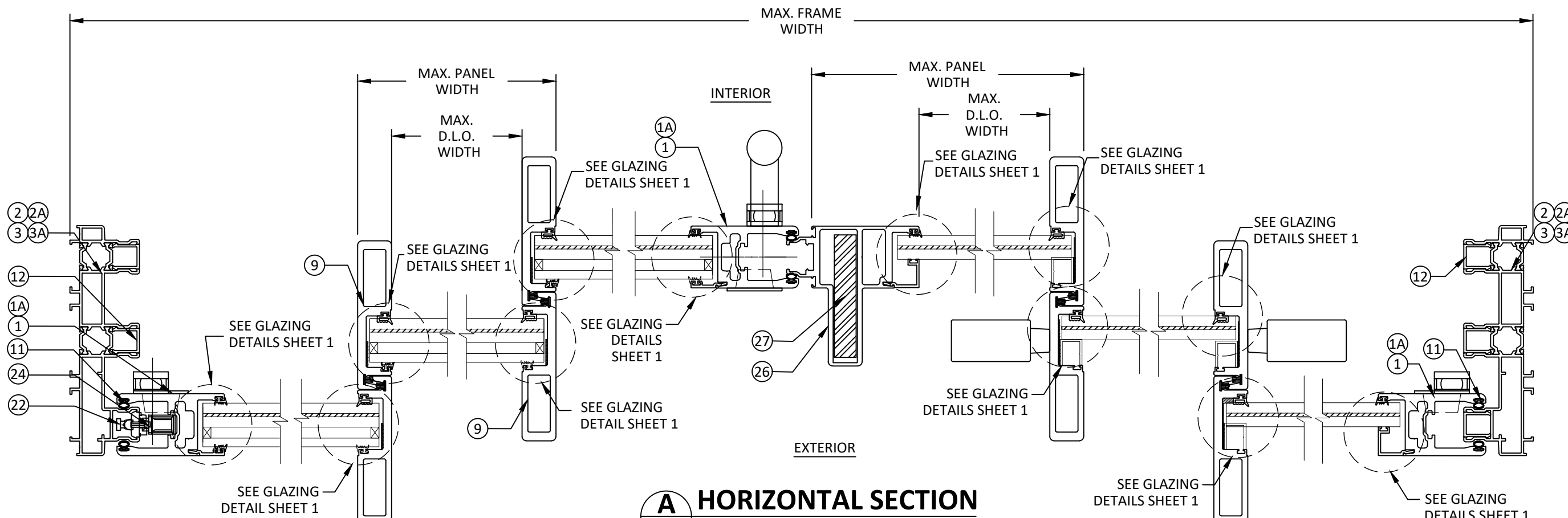
DATE: **11.19.20**

DWG. BY: <b>YC</b>	CHK. BY: <b>HFN</b>
-----------------------	------------------------

SCALE: **NTS**

DWG. #: **EWS017**

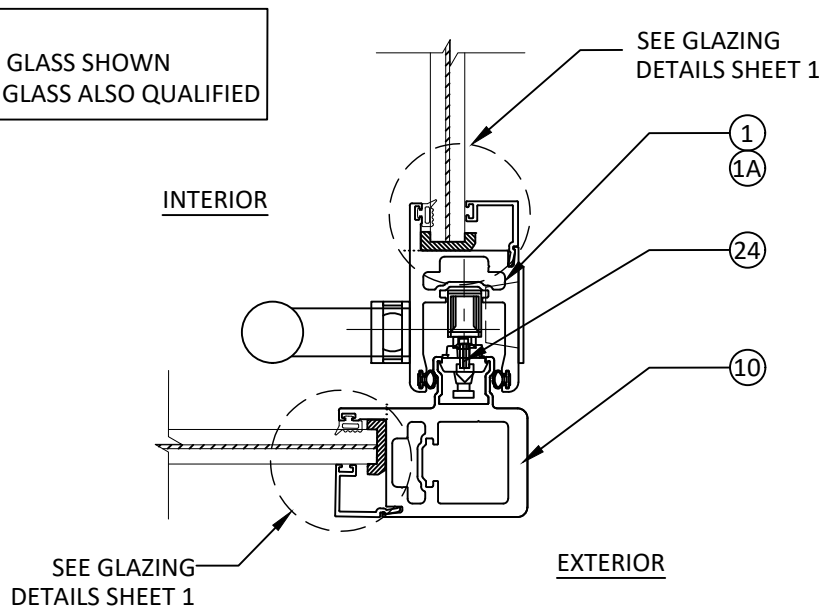
SHEET:



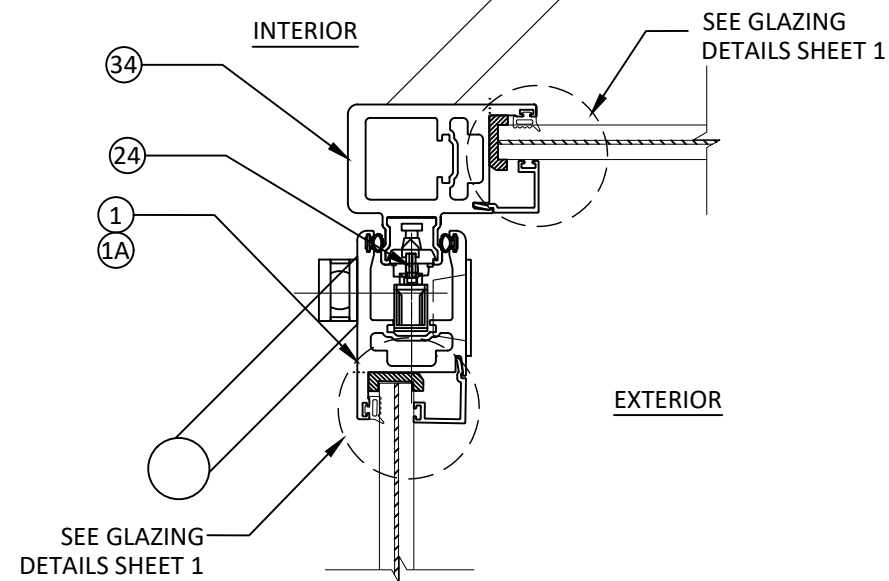
**A** HORIZONTAL SECTION  
MEETING STILES  
2 OR 3 TRACKS

THERMALLY BROKEN FRAME PROFILES SHOWN,  
NON-THERMALLY BROKEN FRAME PROFILES ARE ALSO  
QUALIFIED FOR THE SAME SIZES AND RATINGS, SEE BOM.

\*NOTE:  
9/16" LAMINATED GLASS SHOWN  
1 1/4" INSULATED GLASS ALSO QUALIFIED



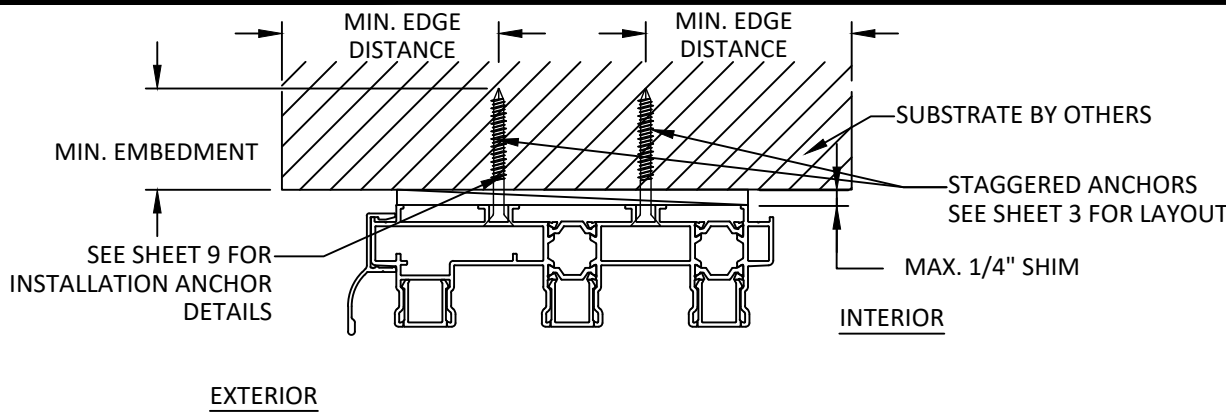
**B** HORIZONTAL SECTION  
OUTSIDE CORNER DETAIL



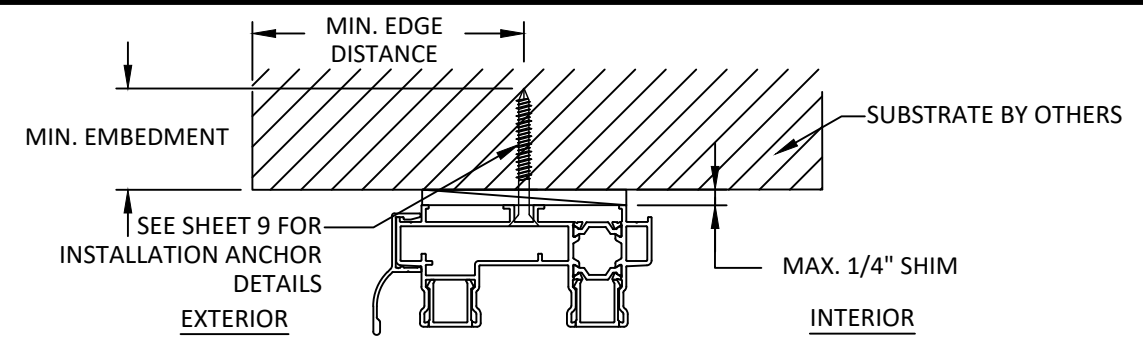
**C** HORIZONTAL SECTION  
INSIDE CORNER DETAIL



10/19/2023 1:06 PM  
 z:\projects\euro-wall systems\fb-23-0818 - fbc submittal - fbc submittal - ew holdings of florida llc name change\dwg\fb34003\ews017.dwg

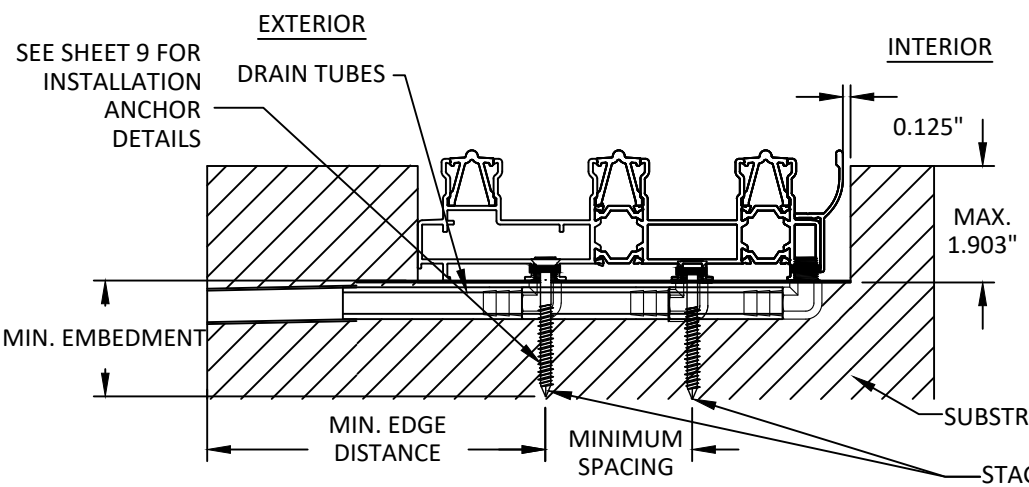


**A**  
**8** ANCHOR DETAIL  
 THROUGH FRAME INSTALLATION (HEAD)  
 3 TRACKS

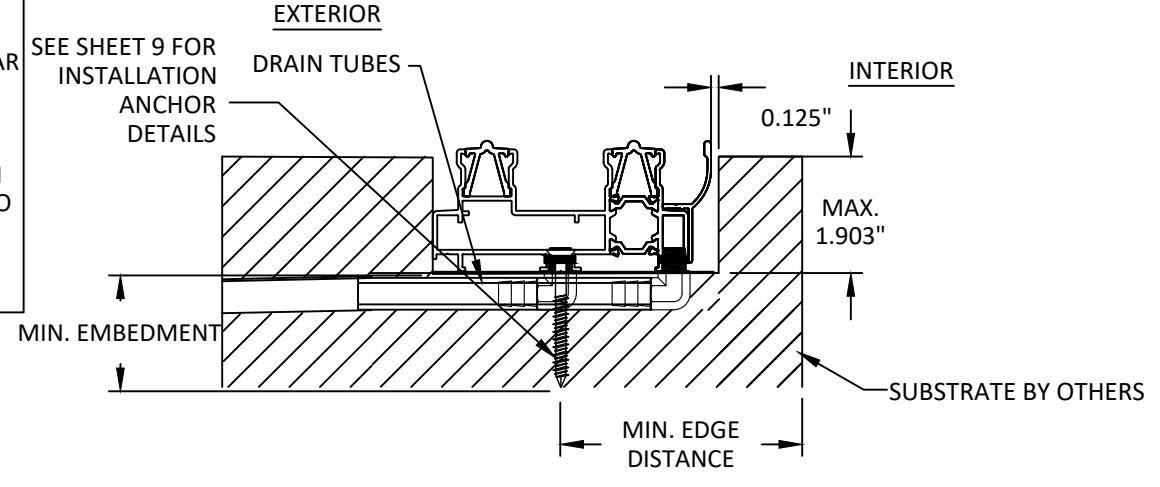


**B**  
**8** ANCHOR DETAIL  
 THROUGH FRAME INSTALLATION (HEAD)  
 2 TRACKS

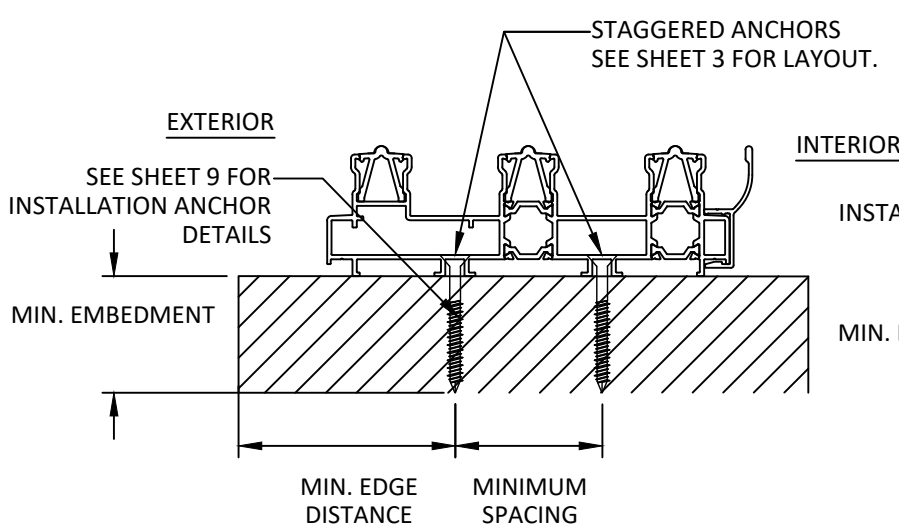
NOTE:  
 1. 2 AND 3 TRACK FRAME INSTALLATION SHOWN, 4 AND 5 TRACK INST. SIMILAR  
 2. THERMALLY BROKEN FRAME PROFILES SHOWN, NON-THERMALLY BROKEN FRAME PROFILES ARE ALSO QUALIFIED FOR THE SAME SIZES AND RATINGS, SEE BOM.



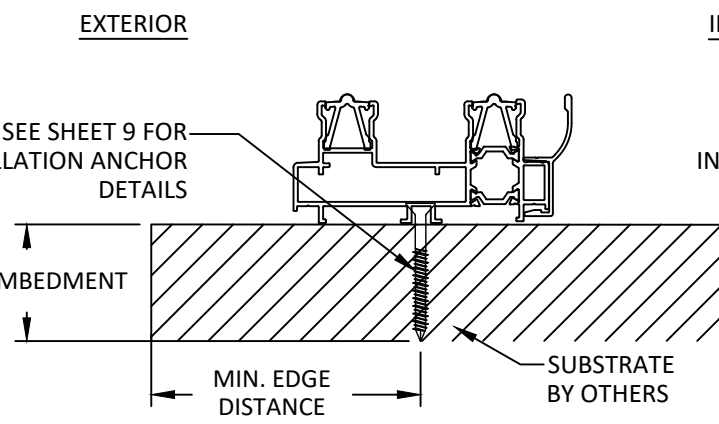
**C**  
**8** VERTICAL SECTION  
 THROUGH FRAME INSTALLATION (SILL)  
 OPTIONAL SUNKEN 3-TRACK INSTALLATION



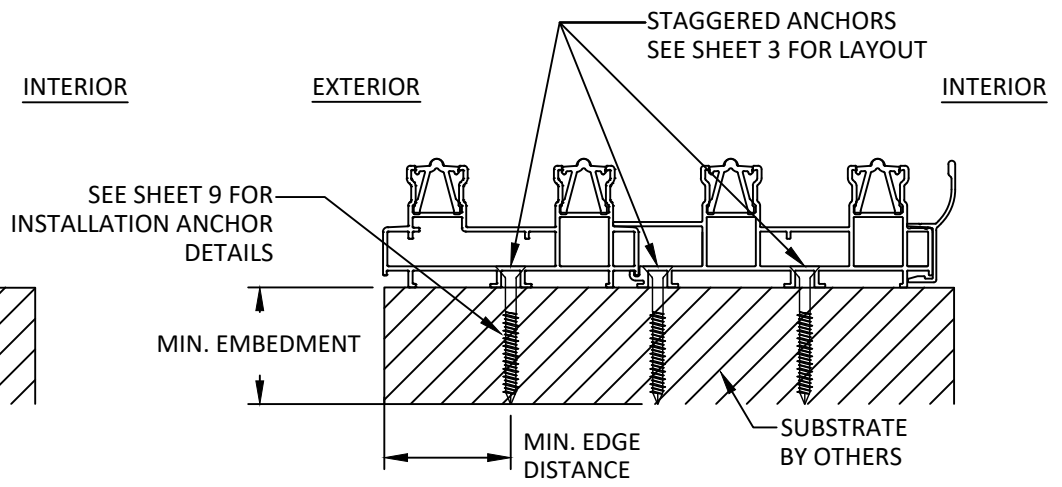
**D**  
**8** ANCHOR DETAIL  
 THROUGH FRAME INSTALLATION (SILL)  
 OPTIONAL SUNKEN 2-TRACK INSTALLATION



**E**  
**8** ANCHOR DETAIL  
 THROUGH FRAME INSTALLATION (SILL)  
 3 TRACKS



**F**  
**8** ANCHOR DETAIL  
 THROUGH FRAME INSTALLATION (SILL)  
 2 TRACKS



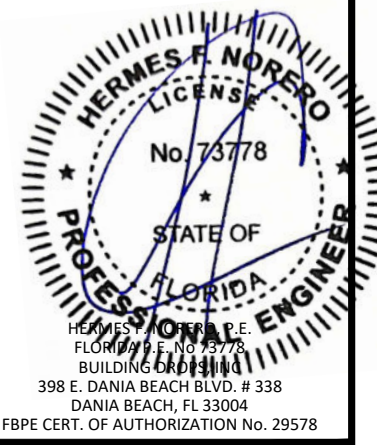
**G**  
**8** ANCHOR DETAIL  
 THROUGH FRAME INSTALLATION (SILL)  
 3 TRACKS WITH EXTENSION

TITLE: MS MULTI-SLIDE SYSTEM (WZ3) (IMPACT)  
 ANCHOR DETAILS

PREPARED BY:  
**BUILDING DROPS, INC.**  
 398 E. DANIA BEACH BLVD., STE. 338  
 DANIA BEACH, FL 33004  
 PH: (954)399-8478  
 FAX: (954)744-4738  
 WEB: www.buildingdrops.com

REMARKS	BY	DATE
INSIDE CORNER UPDT.	LL	01/22
ADD-ON TRACK UPDT	LL	05/22
CORNER UNIT UPDATE	LL	08/22
MISC. UPDATE	OL	06/23

THE INSTALLATION DETAILS DESCRIBED HEREIN ARE GENERIC AND MAY NOT REFLECT ACTUAL CONDITIONS FOR A SPECIFIC SITE. IF SITE CONDITIONS CAUSE INSTALLATION TO DEVIATE FROM THE REQUIREMENTS DETAILED HEREIN, A LICENSED ENGINEER OR ARCHITECT SHALL PREPARE SITE SPECIFIC DOCUMENTS FOR USE WITH THIS DOCUMENT.



FL #: **FL34003**

DATE: **11.19.20**

DWG. BY: **YC** | CHK. BY: **HFN**

SCALE: **NTS**

DWG. #: **EWS017**

SHEET: **8**



10/19/2023 1:06 PM  
z:\projects\eurowall systems\fb-23-0818 - fbc submittal - fbc submittal - ew holdings of florida llc name change.dwg (f34003)ews017.dwg

EURO-WALL, LLC  
P.O. BOX 8007  
NORTH PORT, FL 34290  
PH: 888-989-3876

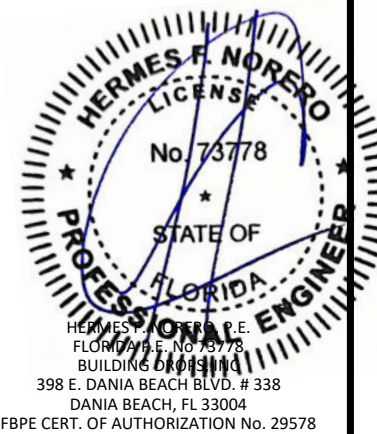
TITLE: MS MULTI-SLIDE SYSTEM (WZ3) (IMPACT)  
INSTALLATION NOTES & ANCHOR SCHEDULE

PREPARED BY:  
**BUILDING DROPS, INC.**  
398 E. DANIA BEACH BLVD., STE. 338  
DANIA BEACH, FL 33004  
PH: (954)399-8478  
FAX: (954)744-4738  
WEB: www.buildingdrops.com



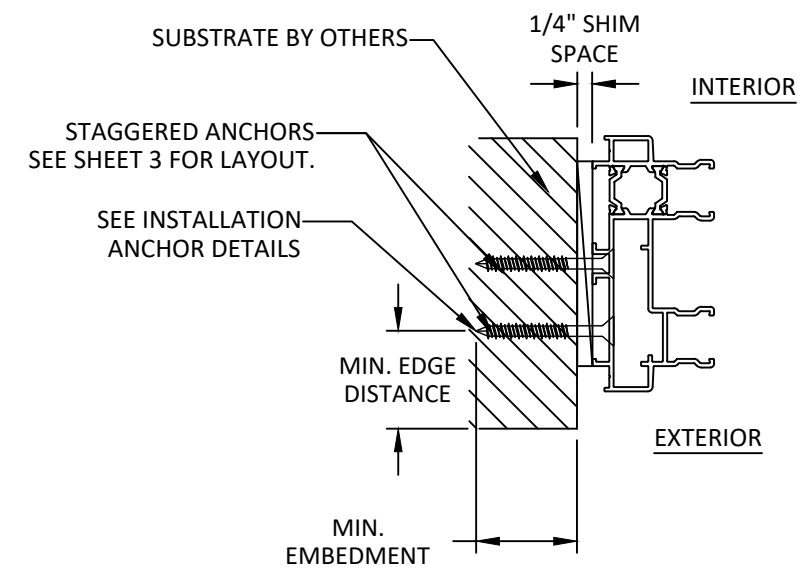
REMARKS	BY	DATE
INSIDE CORNER UPDT.	LL	01/22
ADD-ON TRACK UPDT	LL	05/22
CORNER UNIT UPDATE	LL	08/22
MISC. UPDATE	OL	06/23

THE INSTALLATION DETAILS DESCRIBED HEREIN ARE GENERIC AND MAY NOT REFLECT ACTUAL CONDITIONS FOR A SPECIFIC SITE. IF SITE CONDITIONS CAUSE INSTALLATION TO DEVIATE FROM THE REQUIREMENTS DETAILED HEREIN, A LICENSED ENGINEER OR ARCHITECT SHALL PREPARE SITE SPECIFIC DOCUMENTS FOR USE WITH THIS DOCUMENT.

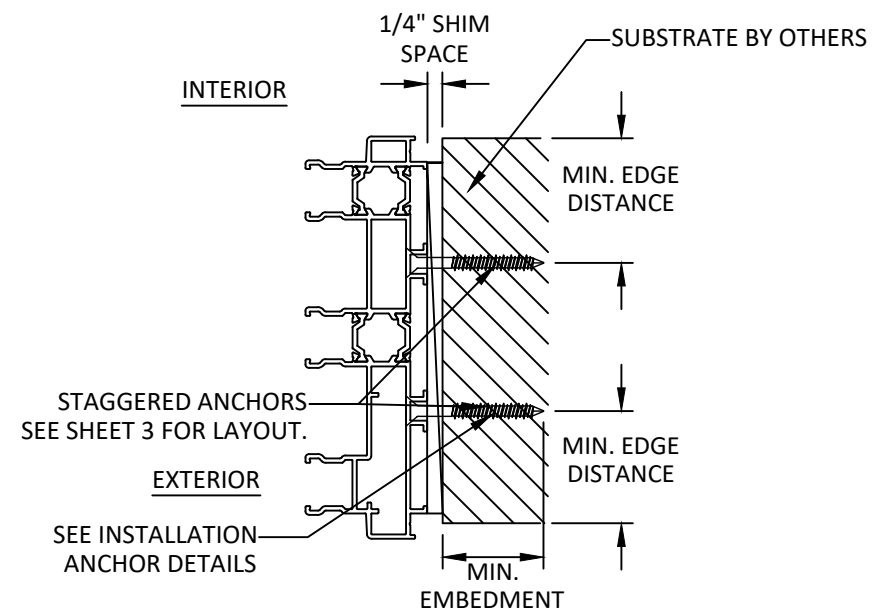


FL #: **FL34003**  
DATE: **11.19.20**  
DWG. BY: **YC** | CHK. BY: **HFN**  
SCALE: **NTS**  
DWG. #: **EWS017**

SHEET: **9**  
OF 11



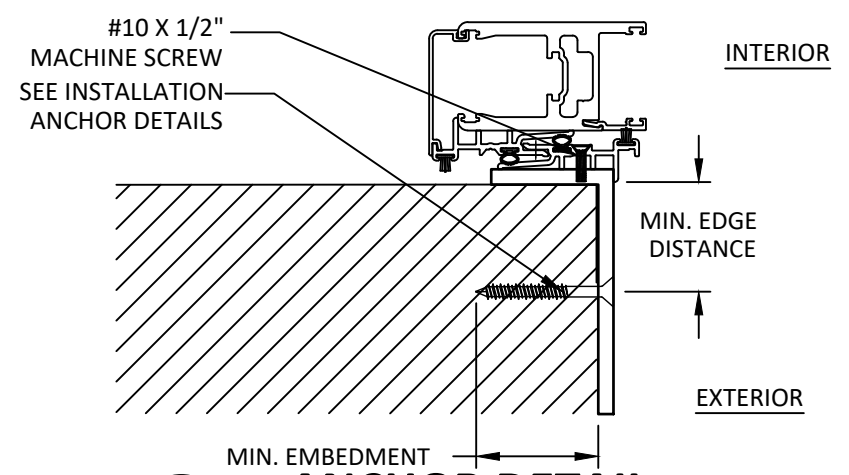
**A**  
**9**  
**ANCHOR DETAIL**  
THROUGH FRAME (JAMB)  
2 TRACK



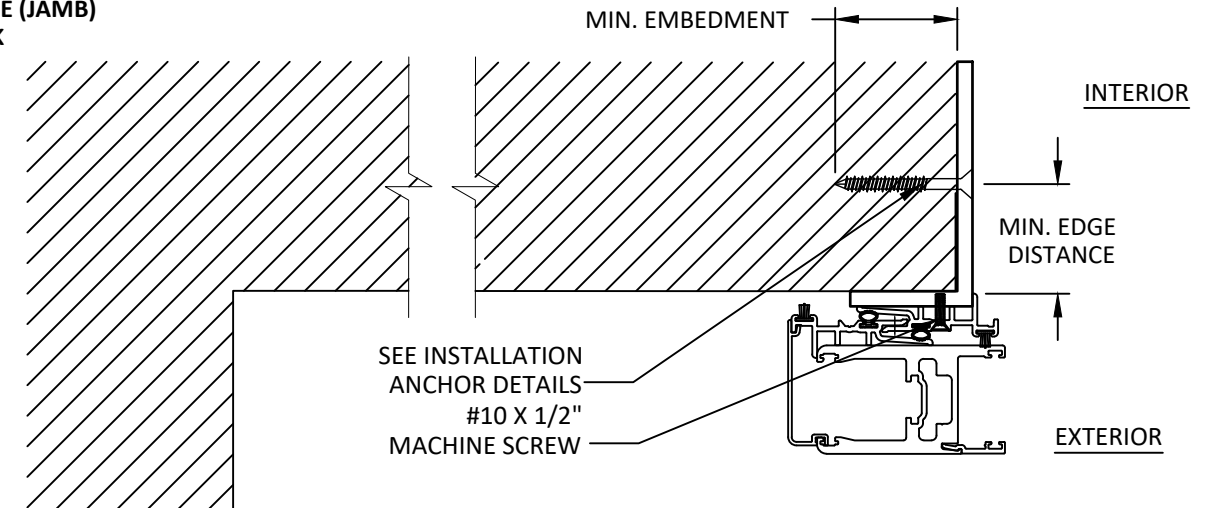
**B**  
**9**  
**ANCHOR DETAIL**  
THROUGH FRAME (JAMB)  
3 TRACK

THERMALLY BROKEN FRAME PROFILES SHOWN, NON-THERMALLY BROKEN FRAME PROFILES ARE ALSO QUALIFIED FOR THE SAME SIZES AND RATINGS, SEE BOM.

ANCHOR FOR WALL BRACKET AND FROM HOOK STRIP TO BRACKET TO BE LOCATED AT A MAXIMUM OF 4" FROM THE CORNER AND MAXIMUM OF 12" O.C. SPACING



**C**  
**9**  
**ANCHOR DETAIL**  
INSIDE POCKET BRACKET INSTALLATION



**D**  
**9**  
**ANCHOR DETAIL**  
OUTSIDE POCKET BRACKET INSTALLATION

**NOTE:** OUTSIDE POCKET CONDITION SHALL BE OPEN TO THE EXTERIOR. OUTSIDE POCKET SHALL NOT BE ENCLOSED. POCKET CONSTRUCTION DETAILS BY OTHERS.

**INSTALLATION NOTES:**

- ONE (1) INSTALLATION ANCHOR IS REQUIRED AT EACH ANCHOR LOCATION SHOWN UNLESS SPECIFIED IN THE ANCHOR SCHEDULE. TWO (2) INSTALLATION ANCHORS AT THE JAMBS.
- THE NUMBER OF INSTALLATION ANCHORS DEPICTED IS THE MINIMUM NUMBER OF ANCHORS TO BE USED FOR PRODUCT INSTALLATION OF THE MAXIMUM SIZE LISTED.
- INSTALL INDIVIDUAL INSTALLATION ANCHORS WITHIN A TOLERANCE OF ±1/2 INCH THE DEPICTED LOCATION & SPACING IN THE ANCHOR LAYOUT DETAILS (I.E., WITHOUT CONSIDERATION OF TOLERANCES). TOLERANCES ARE NOT CUMULATIVE FROM ONE INSTALLATION ANCHOR TO THE NEXT.
- SHIM AS REQUIRED AT EACH INSTALLATION ANCHOR WITH LOAD BEARING SHIM(S). MAXIMUM ALLOWABLE SHIM STACK TO BE 1/4 INCH. SHIM WHERE SPACE OF 1/16 INCH OR GREATER OCCURS. SHIM(S) SHALL BE CONSTRUCTED OF HIGH DENSITY PLASTIC OR BETTER.
- FOR MASONRY OR CONCRETE OPENINGS, 1X WOOD BUCK MAY BE USED (OPTIONAL AS LONG AS THE MINIMUM EMBEDMENT AND EDGE DISTANCE REQUIREMENTS ARE STILL MET WITHIN THE CORRESPONDING HOST SUBSTRATE.) SEE GENERAL NOTE #3 ON SHEET 1 FOR MORE INFORMATION.
- MINIMUM EMBEDMENT AND EDGE DISTANCE EXCLUDE WALL FINISHES, INCLUDING BUT NOT LIMITED TO STUCCO, FOAM, BRICK VENEER, AND SIDING.
- INSTALLATION ANCHORS AND ASSOCIATED HARDWARE MUST BE MADE OF CORROSION RESISTANT MATERIAL OR HAVE A CORROSION RESISTANT COATING.
- FOR HOLLOW BLOCK AND GROUT FILLED BLOCK, DO NOT INSTALL INSTALLATION ANCHORS INTO MORTAR JOINTS. EDGE DISTANCE IS MEASURED FROM FREE EDGE OF BLOCK OR EDGE OF MORTAR JOINT INTO FACE SHELL OF BLOCK.
- INSTALLATION ANCHORS SHALL BE INSTALLED IN ACCORDANCE WITH ANCHOR MANUFACTURER'S INSTALLATION INSTRUCTIONS, AND ANCHORS SHALL NOT BE USED IN SUBSTRATES WITH STRENGTHS LESS THAN THE MINIMUM STRENGTH SPECIFIED BY THE ANCHOR MANUFACTURER.

ANCHOR SCHEDULE					
METHOD	SUBSTRATE	ANCHOR SCHEDULE	MIN EMBEDMENT	MIN. EDGE DISTANCE	MIN. SPACING
THROUGH FRAME	WOOD: MIN. SG = 0.55	#14 WOOD SCREW	1.5"	0.75"	2.50"
	METAL: 18 GAUGE STEEL, MIN. Fy = 33KSI	#12 SELF DRILLING OR SELF TAPPING SCREW	3 THREADS MIN PENETRATION BEYOND METAL	0.50"	
	METAL: 1/8" MIN. THICKNESS ALUMINUM MIN. 6063-T5				
	CONCRETE: f'c=3000PSI	1/4" ITW TAPCON	1.25"	2.00"	
	MASONRY: CMU per ASTM C90	1/4" ITW TAPCON	1.25"	2.00"	



