



Vista Direct Set[™]



IMPACT & NON-IMPACT RATED
Fixed Window System



#FL46965



Features & Benefits

Largest Panel Sizes

Enjoy the view through the industry's largest panels (12' tall / 5' wide available).

Design Flexibility

Make it yours with custom colors, interior wood clad, custom muntin, simulated divided lites, mid-rails and other aesthetic offerings.

Connected Panels

Connect multiple panels together for a seamless wall of glass.

Long Lasting Finish

Lakefront, oceanfront and everywhere in between, enjoy your door for years to come with the highest quality finish options available.

Configurations

Choose from single units or multiple units, as well as different glass options to fit your unique needs.

Comfortable & Captivating

FPO



Pel exped mo corrumquid etus dolore corrum res dolupis nonestrum sim et ma dit int.
Ceptatus delliquia id quasint audaeperume etur assitat atquatu rehenim poreped quos exceat dent prati ipiet anditatur,
sam alitia nobit, vidi dipsaes et et vololibus sitate sto voloeritio uccabor porehentis dolores volupta cone volor alita
et hicipsaecea aut quam il modic tet ad eaquiant omnit ut volurtae res alisserum denempel mi, sandell atasperis pla
desequaere quid et pore net peressi verumet quia a aute nonsere necus re qui omnimus velignat.
Maximus nima volorio. Et es et dolupta et que aut faciasinte coribus eum quo illab ilit lignatem. Itas a doluptibus aut velestia

FPO

At Euro-Wall, everything we do is Superior by Design. We constantly push ourselves to provide the highest quality windows and doors with the largest views to give you the freedom to design without limitations.



DESIGN PRESSURE CHART (SINGLE UNIT)

HVHZ, WZ3, & Non-Impact

Panel Height	Panel Width												
	36	42	48	54	60	66	72	78	84	90	96	102	108
78	70	70	70	70	70	63.6	58.3	53.8	53.8	53.8	53.8	53.8	53.8
84	70	70	70	70	70	63.6	58.3	53.8	50	50	50	50	
90	70	70	70	70	70	63.6	58.3	53.8	50	46.7	46.7		
96	70	70	70	70	70	63.6	58.3	53.8	50	46.7			
102	70	70	70	70	70	63.6	58.3	53.8	50				
108	70	70	70	70	70	63.6	58.3	53.8					
114	70	70	70	70	70	63.6	58.3						
120	70	70	70	70	70	63.6	58.3						
126	70	70	70	70	70	63.6							
132	70	70	70	70	70								
138	70	70	70	70	70								
144	70	70	70	70	70								
150	70	70	70	70									
156	70	70	70	70									
162	70	70	70										
168	70	70	70										

Note: The height and width are interchangeable to accommodate a vertical or horizontal arrangement.

DESIGN PRESSURE CHART (MULTIPLE UNITS)

HVHZ, WZ3, & Non-Impact

Panel Height	Panel Width												
	36	42	48	54	60	66	72	78	84	90	96	102	108
78	70	70	70	70	70	63.6	58.3	53.8	53.8	53.8	53.8	53.8	53.8
84	70	70	70	70	70	63.6	58.3	53.8	50	50	50	50	
90	70	70	70	70	70	63.6	58.3	53.8	50	46.7	46.7		
96	70	70	70	70	70	63.6	58.3	53.8	50	46.7			
102	70	70	70	70	70	63.6	58.3	53.8	50				
108	70	70	70	70	70	63.6	58.3	53.8					
114	70	70	70	70	70	63.6	58.3						
120	70	70	70	70	70	63.6	58.3						
126	70	70	70	70	70	63.6							
132	70	70	70	70	70								
138	70	70	70	70	70								
144	70	70	70	70	70								

Note: This DP chart is applicable for an unlimited number of lites.

Test Performance

- Air Infiltration: ASTM E283-19
- Water Infiltration: ASTM E331-00(23)
- Wind Load: TAS 202-94
- Large Missile Impact: TAS 201-94
- Cyclic Load: TAS 203-94



#FL46965

System Thresholds

MAXIMUM / MINIMUM SPECIFICATIONS

SINGLE UNIT

	IMPACT RATED	NON-IMPACT RATED
MAX. PANEL HEIGHT	168"	168"
MAX. PANEL WIDTH	108"	108"
MIN. PANEL HEIGHT	18"	18"
MIN. PANEL WIDTH	18"	18"

MULTIPLE UNITS

	IMPACT RATED	NON-IMPACT RATED
MAX. PANEL HEIGHT	144"	144"
MAX. PANEL WIDTH	108"	108"
MIN. PANEL HEIGHT	18"	18"
MIN. PANEL WIDTH	18"	18"

Note: For installations in Florida, please see the Florida Product Approval (FL46965) for usage and limitations.

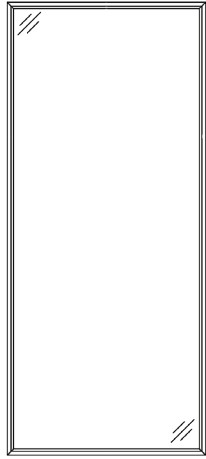


10-Year Limited Warranty
Euro-Wall warrants the products to be free from manufacturing defects for a period of 10 years.

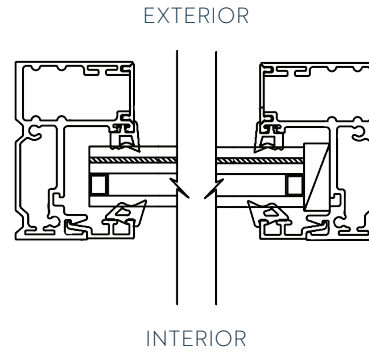


Note: 1" IG shown.

Single Lite CAD details



Exterior Front Elevation

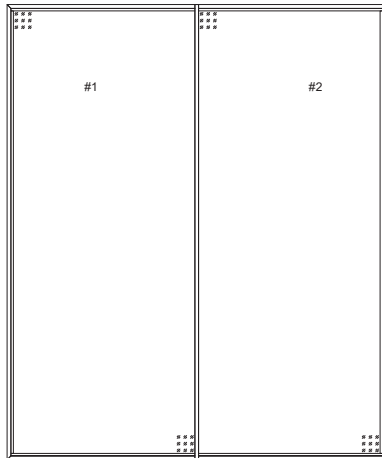


Top Down Cross Section

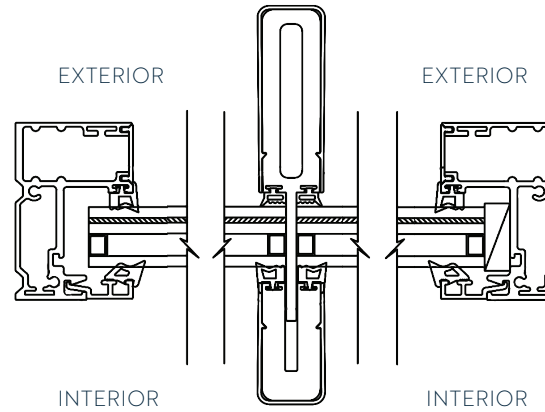


Vertical Cross Section

Divided Lite CAD details



Exterior Front Elevation

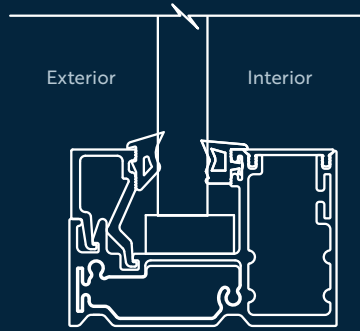


Top Down Cross Section

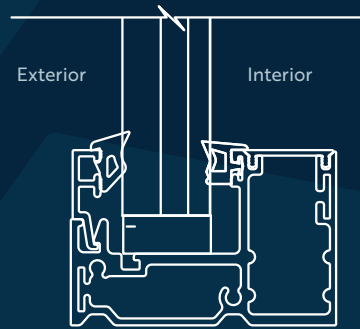


Vertical Cross Section

Glazing Details



9/16 LAMINATE



1" IG

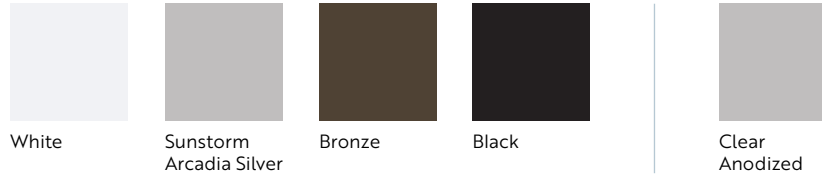
OVERALL GLASS THICKNESS

1/4" | 1/2" | 9/16" | 1"

We can handle most any type of glass if it meets the required thickness. *Let's talk.*

Finish Options

STANDARD FRAME & DOOR PANEL FINISHES



Standard finish is Sunstorm Arcadia Silver (Kynar® Amma 2605)

FRAME FINISHES

- Kynar® Liquid Paint or Powder Coat finishes available
- Custom powder coat or Kynar® finishes available
- Custom faux woodgrain finishes available

INTERIOR WOOD CLAD FINISH OPTION

- Mahogany / sapele
- White oak
- Additional wood species available



Wood clad veneer option shown

Wood Clad Finishes

Our interior-only wood-clad finish options include our standard finishes of white oak and mahogany / sapele. Additionally, we offer a variety of exotic wood species for cladding (see samples below).

Standard Wood Cladding Finishes



Exotic Wood Clad Finishes



Note: The colors shown are an approximation of actual colors and finishes. Actual finishes may vary slightly.



EURO-WALL[®]

SUPERIOR BY DESIGN.

euro-wall.com



American Made.
EUROPEAN INSPIRED.

MANUFACTURING & SHOWROOM

2200 Murphy Ct.
North Port, FL 34289
888.989.EURO (3876)

SHOWROOM

1211 Stirling Rd., Unit 102,
Dania Beach, FL 33004
941.979.5316

EURO-WALL UNLOCKS *breathtaking perspectives*
THROUGH THE *largest, strongest* DOOR SYSTEMS
WITH THE MOST DESIGN OPTIONS – ALL BACKED
BY *enjoyable, personal* SUPPORT – FOR A *superior*
experience FROM OPEN TO CLOSE.



© 2024 Euro-Wall, LLC. Unless Otherwise noted, all proprietary names are trademarks of Euro-Wall. All rights reserved.

FGIA[®]
Fenestration & Glazing
Industry Alliance