

ARCHITECT CUT SHEET

VISTA FOLD™ IMPACT RATED ALUMINUM FOLDING DOORS



The Vista Fold™ impact rated aluminum door system provides unobstructed views and seamless transitions to the outside. Euro-Wall folding doors systems can span heights up to 168", widths up to 52", can be configured as a radius or postless corner systems and can span any opening width with an unlimited number of sequential panels. Vista Fold™ applications are Florida Product Approved and meet the strict Florida Building Code and has the highest dp rating of any folding door available.

FL 17838



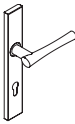

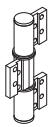

PANEL MINIMUM / MAXIMUM

Max Panel Weight:	350 lbs	Min Panel Height:	32"
Min Panel Width:	18"	Max Panel Height:	168"
Max Panel Width:	52"	Max Sq Ft:	415 sq ft

OVERVIEW DIAGRAM

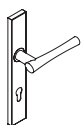
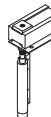
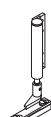


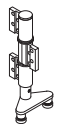

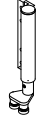
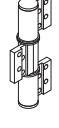
Interior View



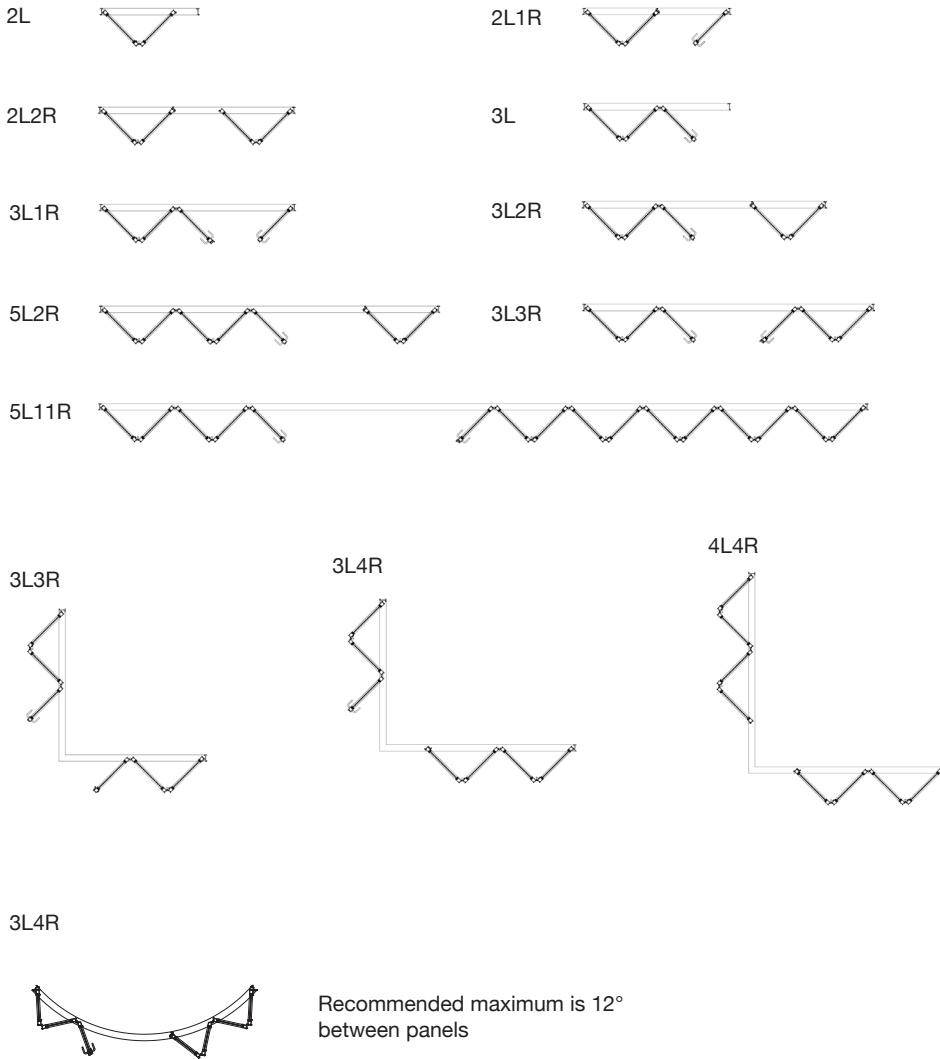
- A**  Multipoint Handle
- B**  Twinpoint Lever
- C**  Modified Hinge
- D**  D Pull Handle

Exterior View



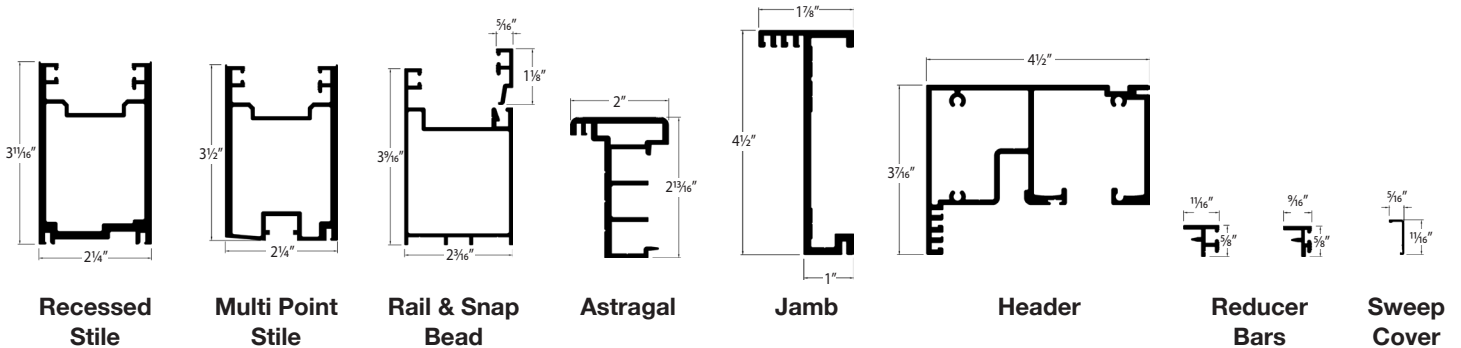
- A**  Multipoint Handle
- B**  Upper Jamb Hinge
- C**  Lower Jamb Hinge
- D**  Center Wall Pivot
- E**  Upper Intermediate Carrier
- F**  Lower Intermediate Carrier
- G**  Upper Carrier
- H**  Lower Carrier
- I**  Modified Hinge

CONFIGURATIONS



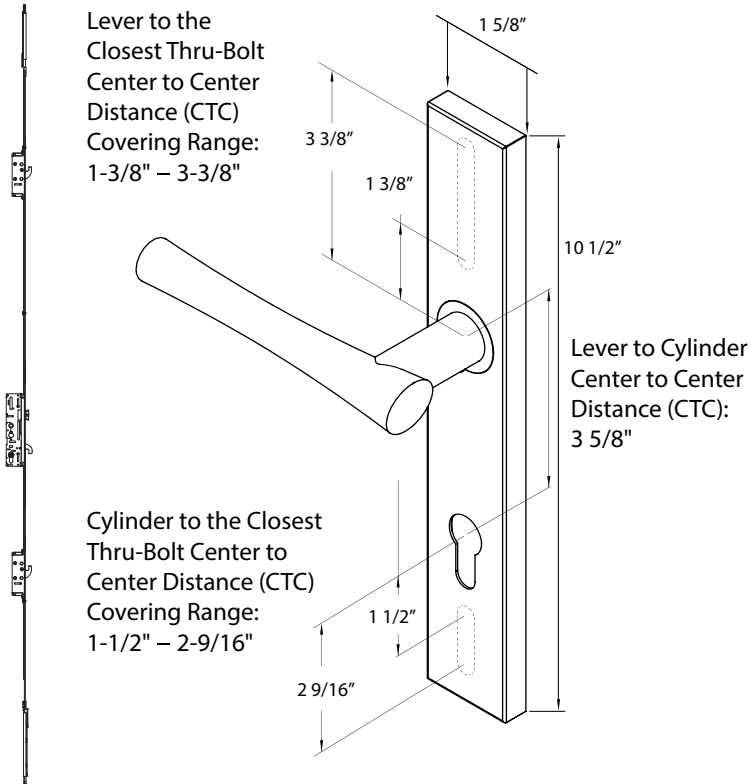
NOTE: These configurations are just a few examples of the numerous possibilities for Vista Fold™ layout options. For installations in Florida, see the Florida Product Approval.

EXTRUSION PROFILES



HANDLES

Multi Point 5 Point Locking Handle

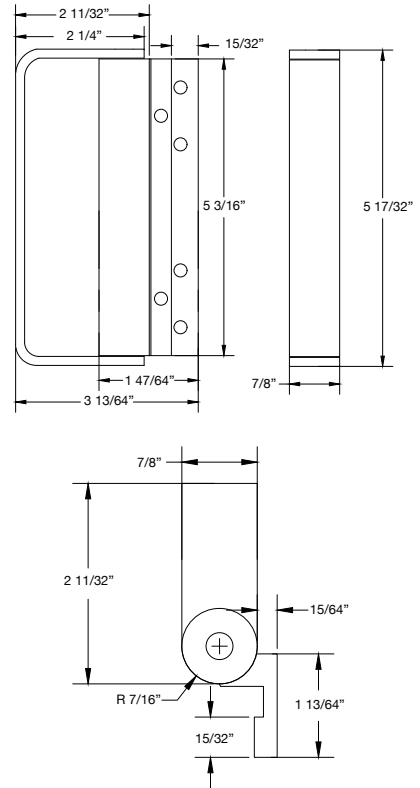


Details of multi point lock continued on pg. 5



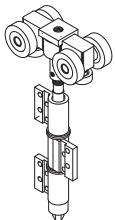
PULL HARDWARE

D Pull Handle

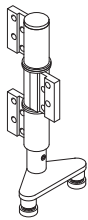


HINGES

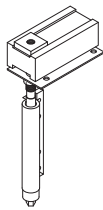
Upper Intermediate Carrier



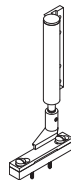
Lower Intermediate Carrier



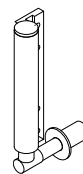
Upper Jamb Hinge



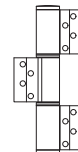
Lower Jamb Hinge



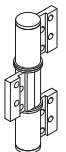
Center Wall Pivot

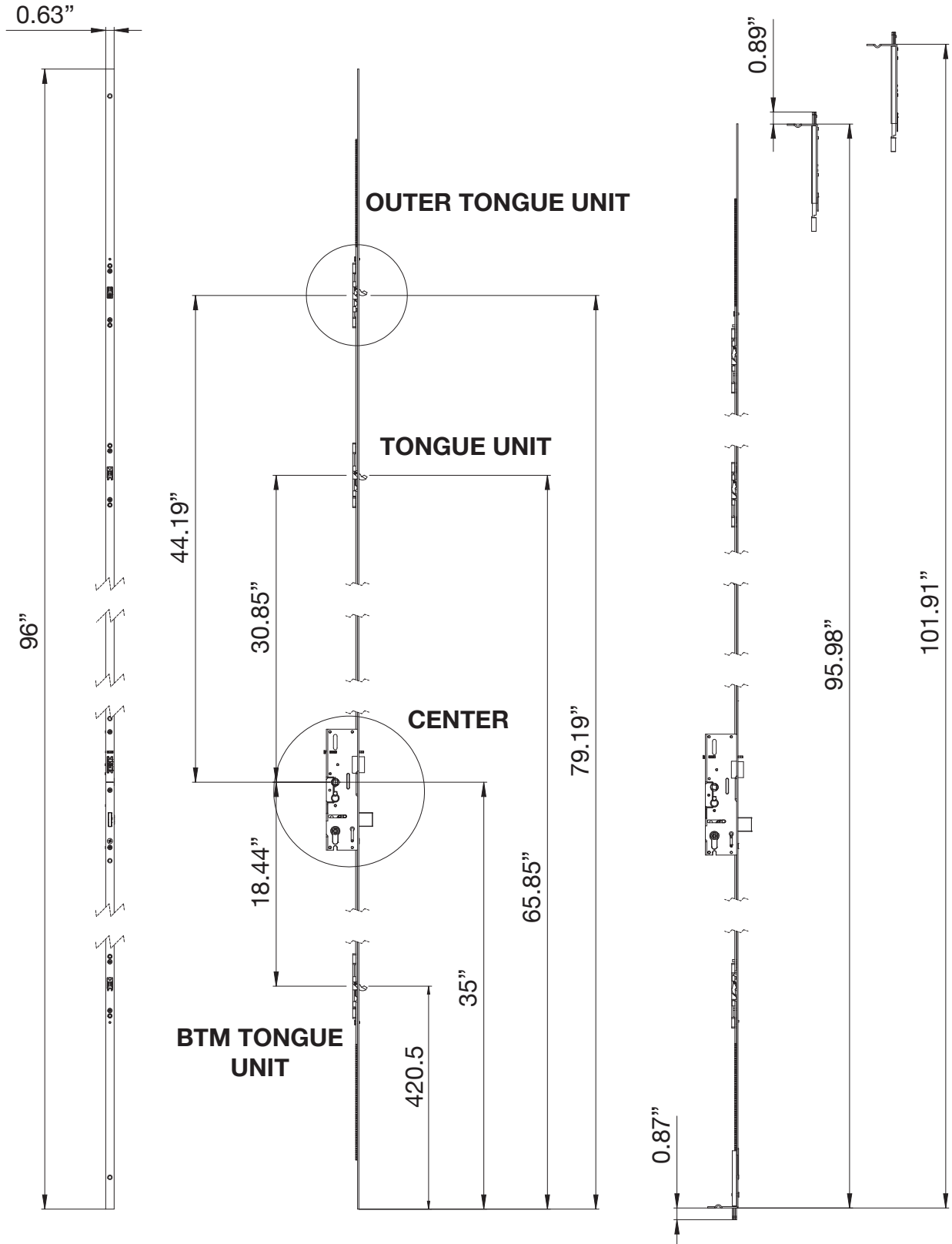


Straight Hinge



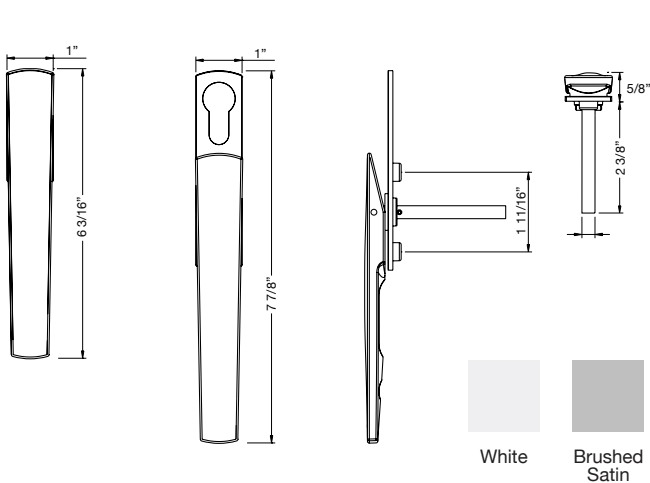
Modified Hinge



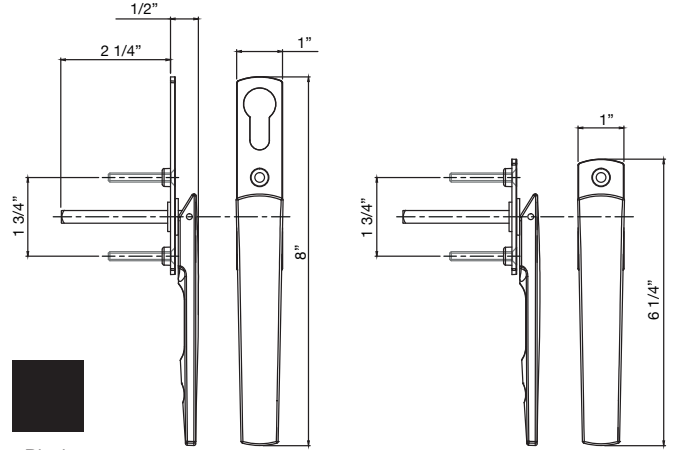


LOCKS

Twinpoint Lever



Twinpoint Lever Short



Thumb Turn Locks



50mm Single Sided • Twinpoint Lever
Euro Cylinder Key
Use: Exterior Locking Only



Satin Nickel



70mm Double Sided • Twinpoint Lever
Euro Cylinder Key / Thumb Turn
Use: Swing Door or Special Request



Satin Nickel



70mm Double Sided • Twinpoint Lever
Euro Cylinder Key / Key
Use: Standard Option



Satin Nickel



90mm Double Sided • Multi Point Handle
Euro Cylinder Key / Thumb Turn
Use: Standard Option
Finish: Satin Nickel, Bronze, Polished, Black



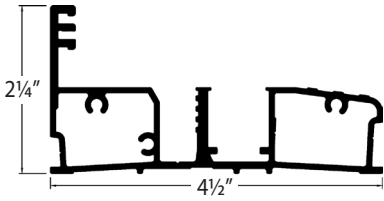
Satin Nickel

Polished

Bronze

Black

SILLS



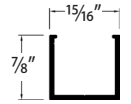
Standard Sill
HVHZ Impact Rated
Water Rated



Modified Standard Sill
HVHZ Impact Rated

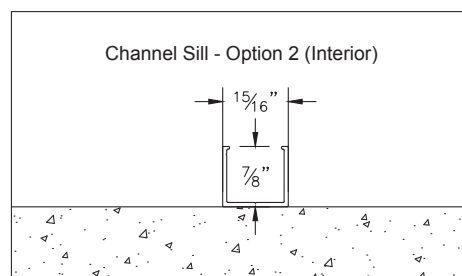
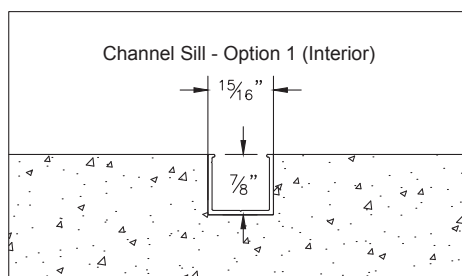
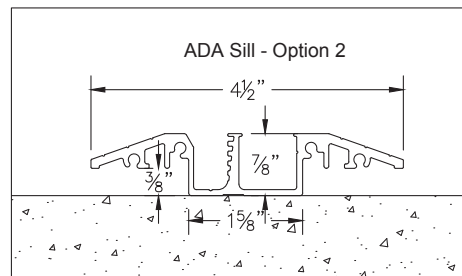
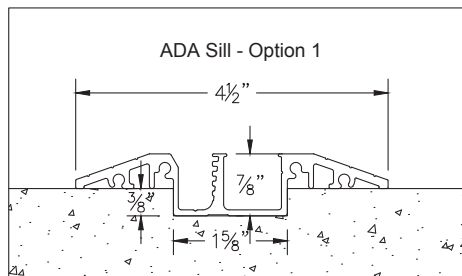
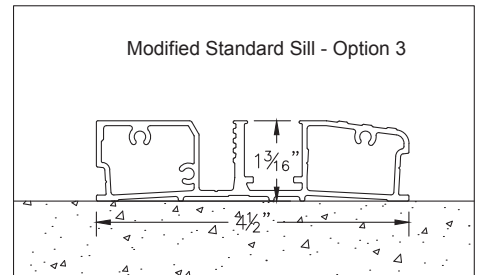
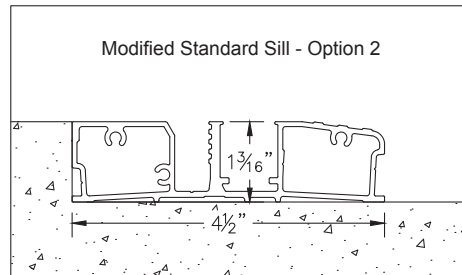
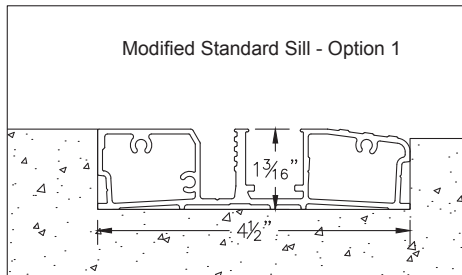
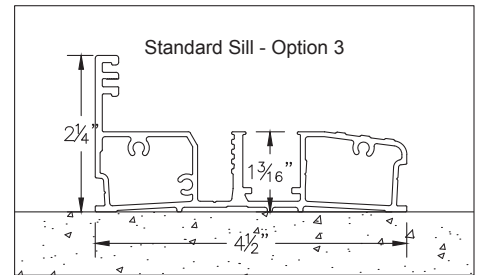
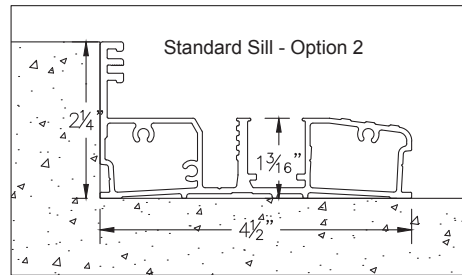
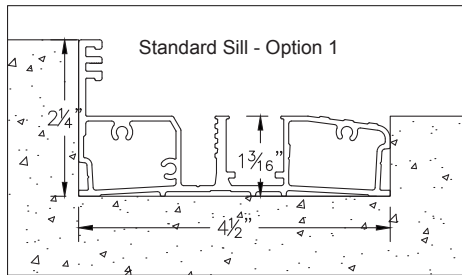


ADA Sill
HVHZ Impact Rated



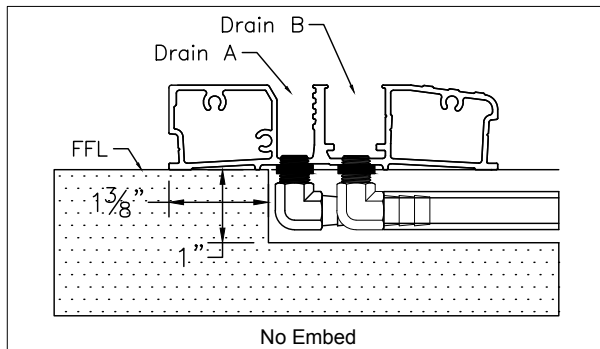
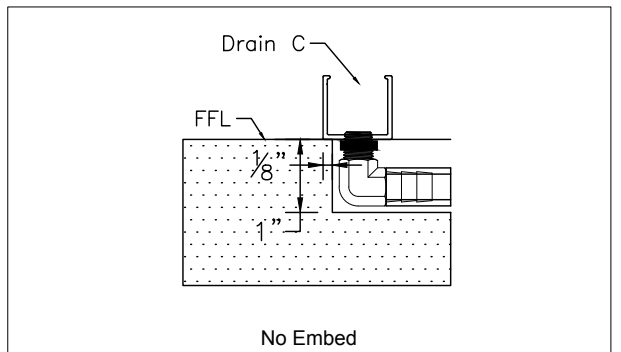
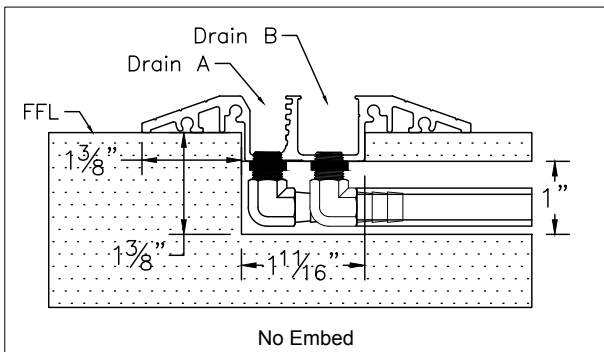
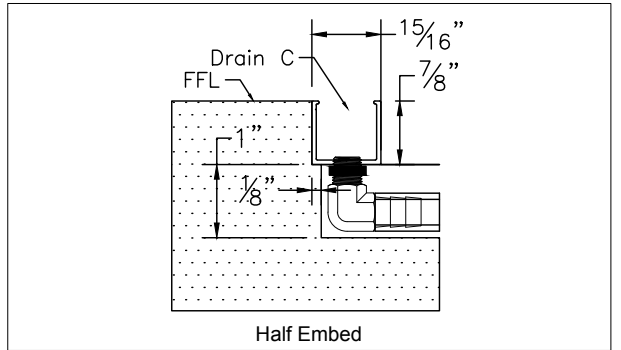
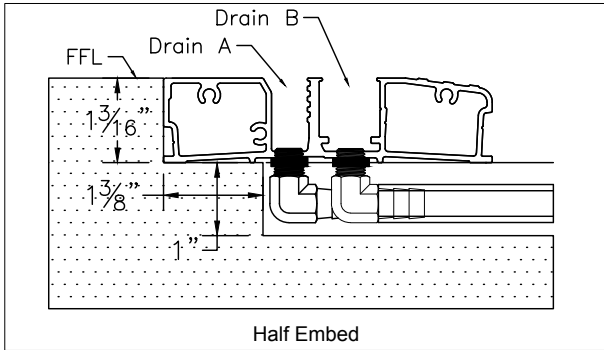
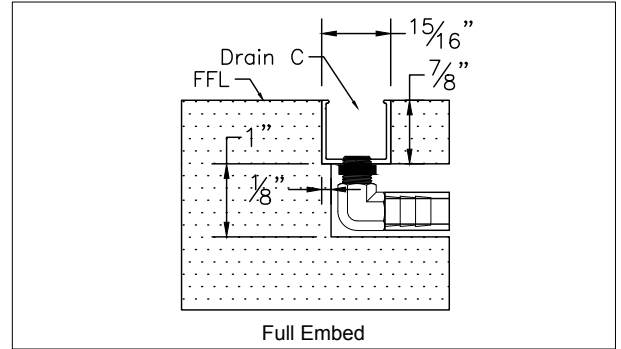
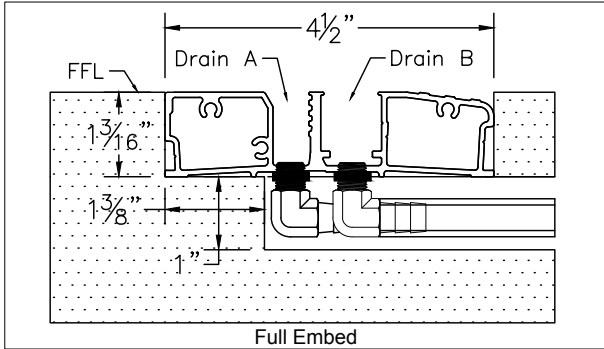
Channel Sill
Interior Use Only

EMBED OPTIONS



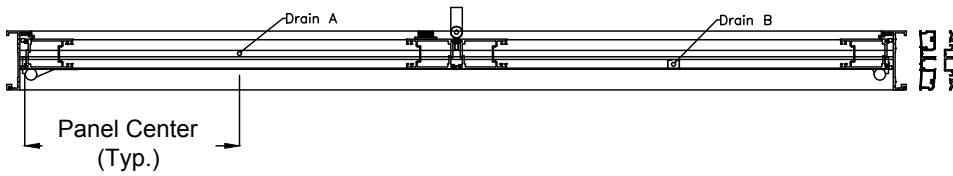
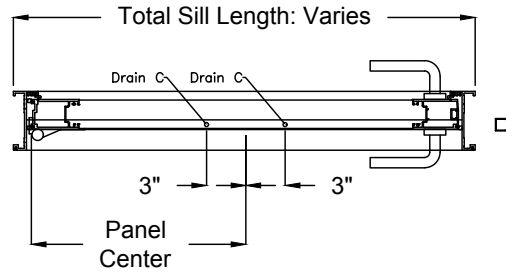
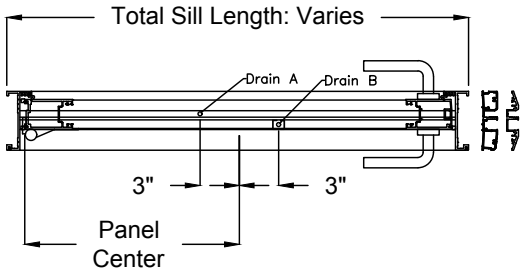
WATER MANAGEMENT

Typical Drain Hole Embedding

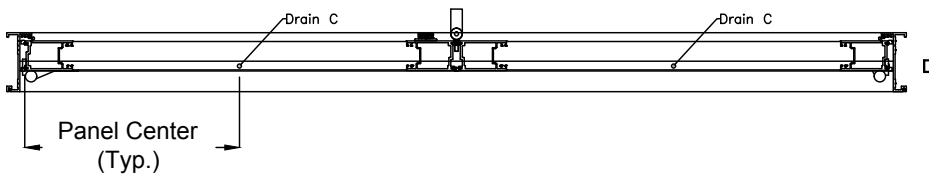


Typical Drain Hole Location

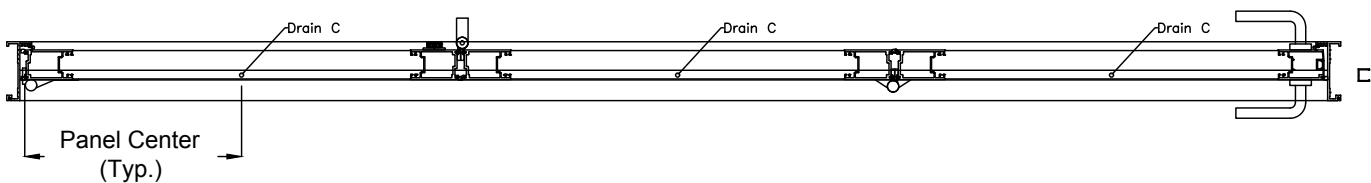
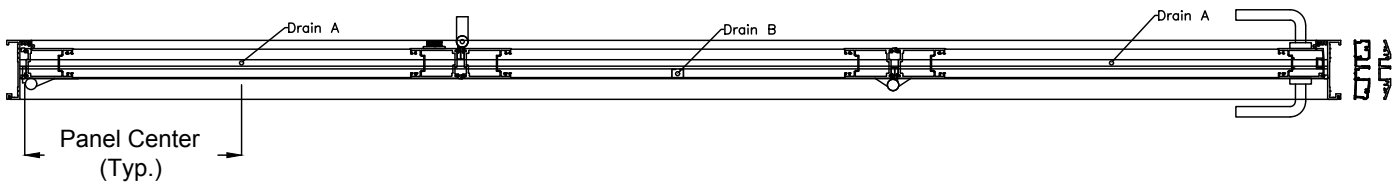
Drill using a $\frac{5}{16}$ " Bit, and Tap using a $\frac{1}{8}$ " NPT, with 27 Threads per Inch



ADA & Modified Still -Staggerd repeating pattern

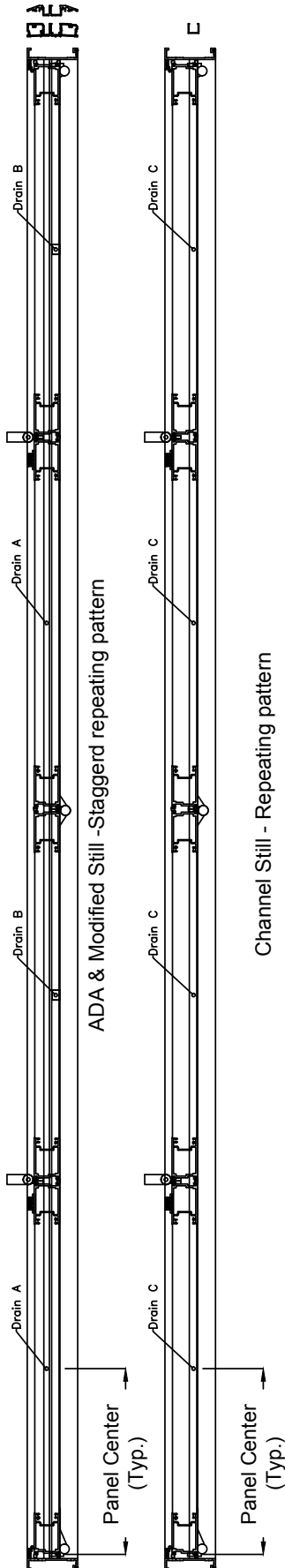


Channel Still - Repeating pattern

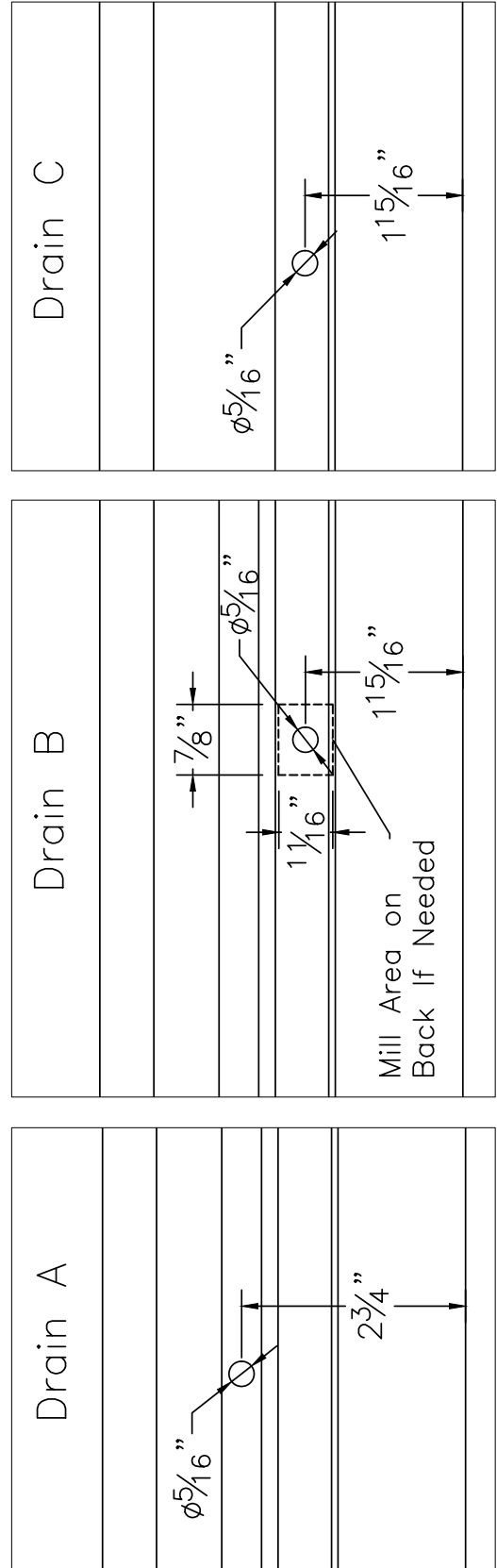


Typical Drain Hole Location

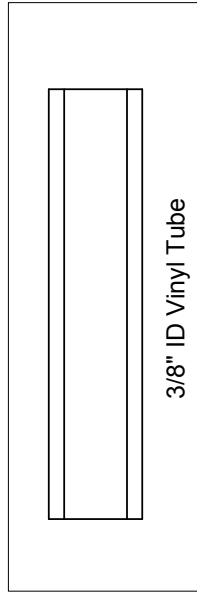
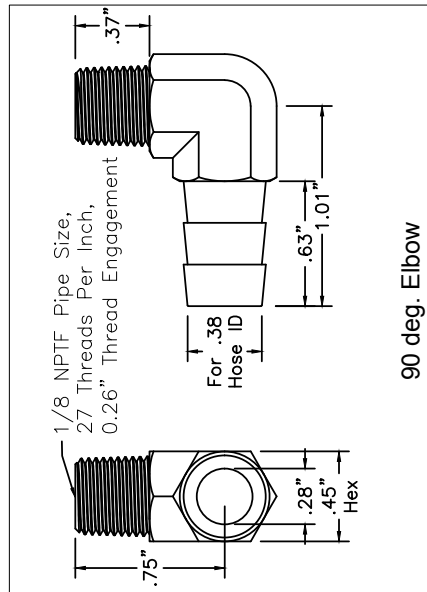
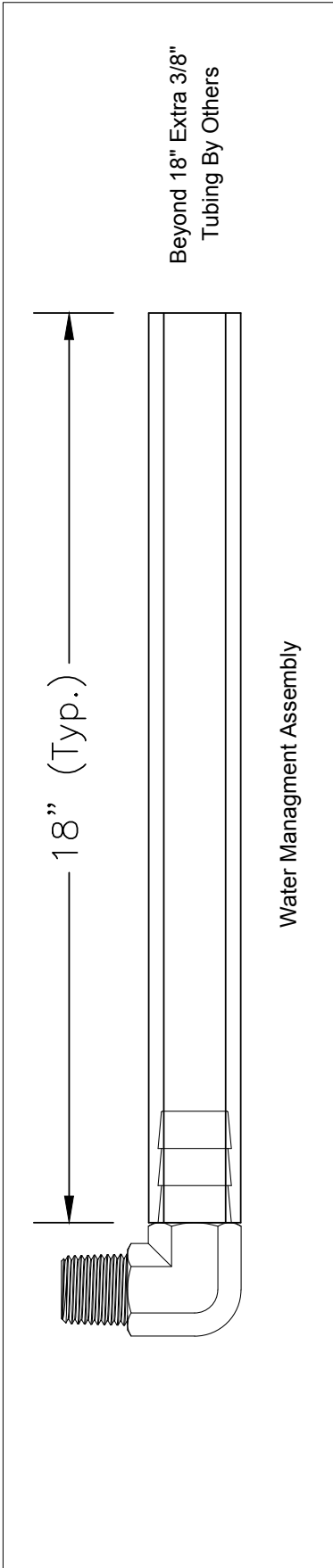
Drill using a $\frac{5}{16}$ " Bit, and Tap using a $\frac{1}{8}$ " NPT, with 27 Threads per Inch



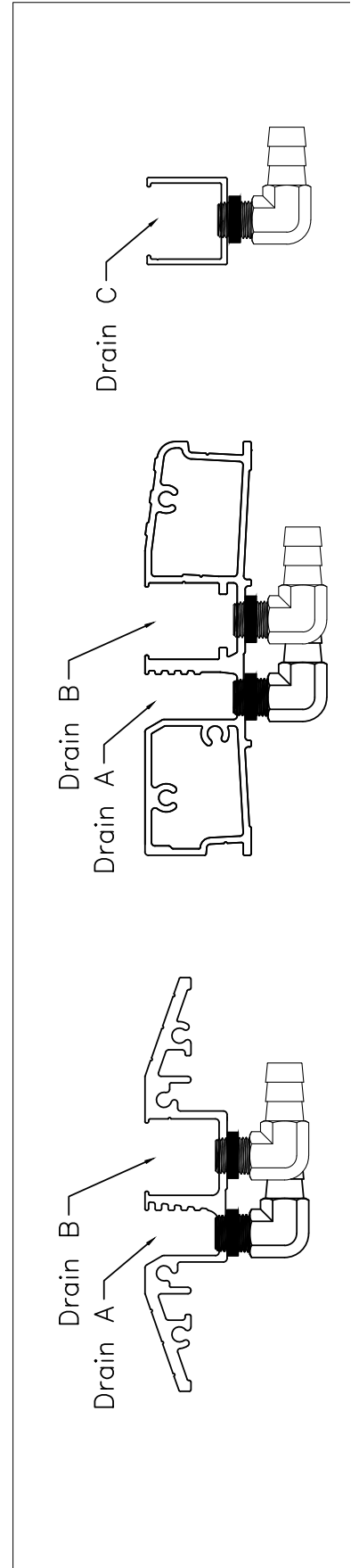
Typical Drain Hole Milling



Water Management System Parts

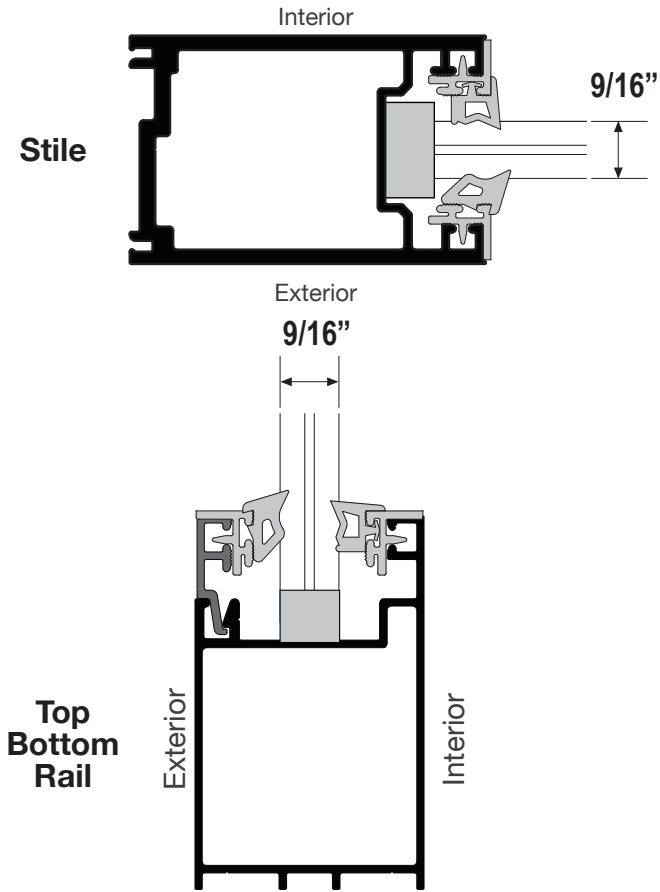


Typical Drain Hole Location

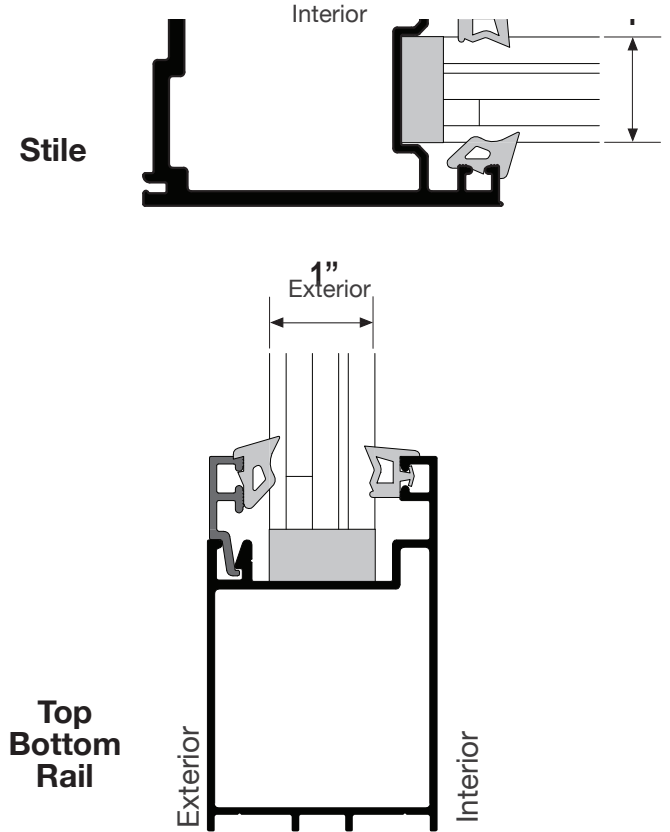


GLAZING DETAILS

Impact Glass (9/16" Monolithic)



IG Impact



FINISH OPTIONS

Standard Finishes



White

Clear Anodized

Bronze

Black

Standard Wood Finishes



Mahogany / Sapele

White Oak

Exotic Wood Finishes



African Rosewood

Ash

Birch

Curly Maple

Red Oak

Walnut

Zebrawood

Faux Wood Grain Finishes



Aspen

Burlwood

Chesnut Cherry

Cinnamon Red

Dark Walnut

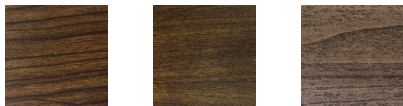
English Oak

Hazelnut Brown

Honey Pine

Mahogany Red

Natura



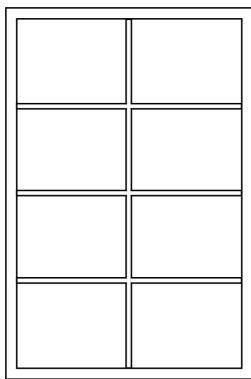
Teak

Walnut Brown

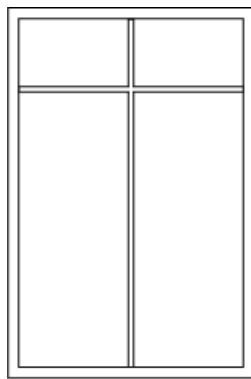
Weathered Teak

GRID OPTIONS

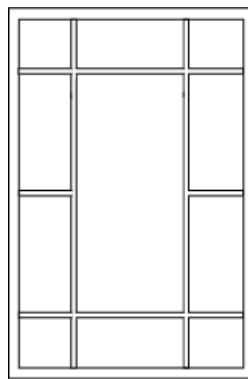
These muntin configurations are just a few examples of the numerous possibilities. All configurations are available in aluminum or wood.



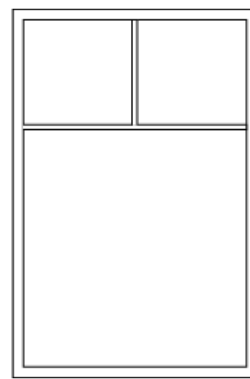
Traditional Grid



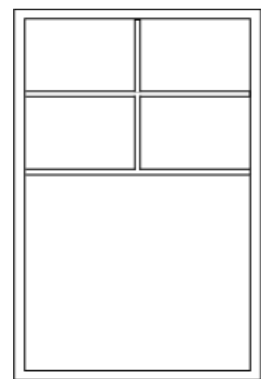
Cross Grid



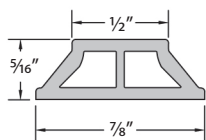
English Grid



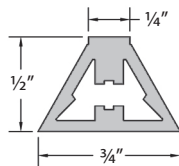
Ladder



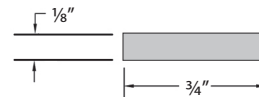
Double Ladder



7/8" OG MUNTIN



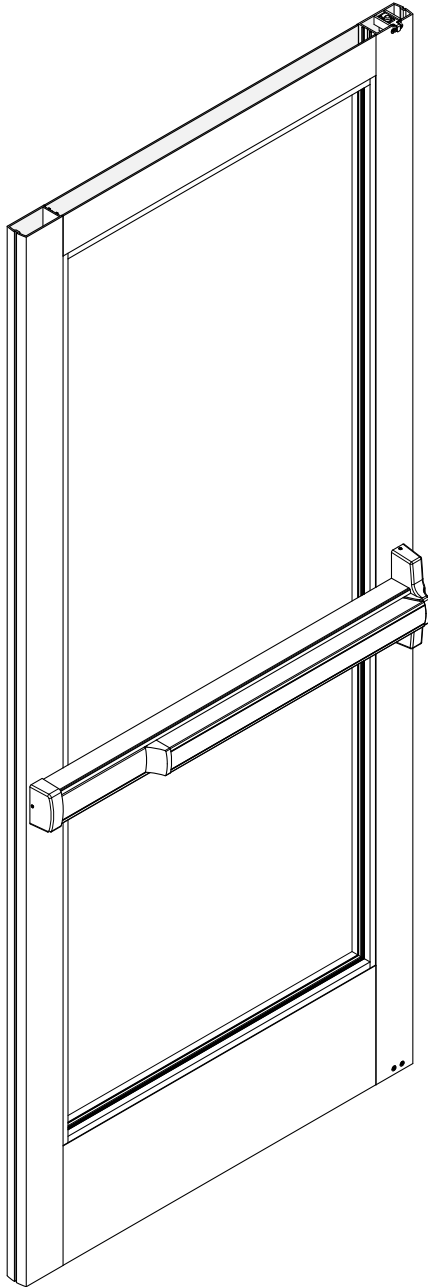
3/4" STANDARD MUNTIN



3/4" FLAT MUNTIN

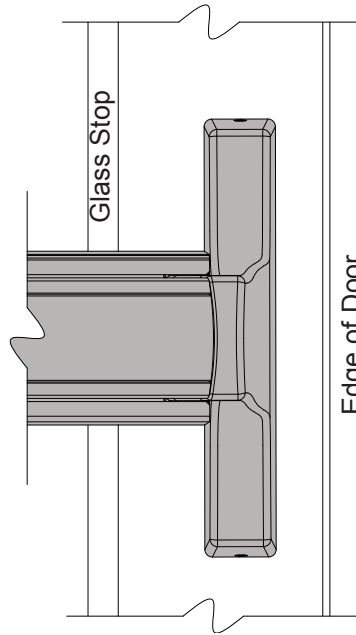
NOTE: The 3/4" flat muntin is primarily used for sliding doors, however if your project has folding and sliding doors this muntin will be used to make them all match.

ADA - PANIC BARS

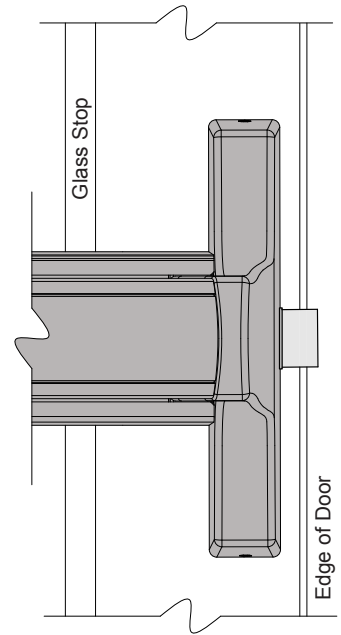


Interior Access

Two Component / Astragal Condition

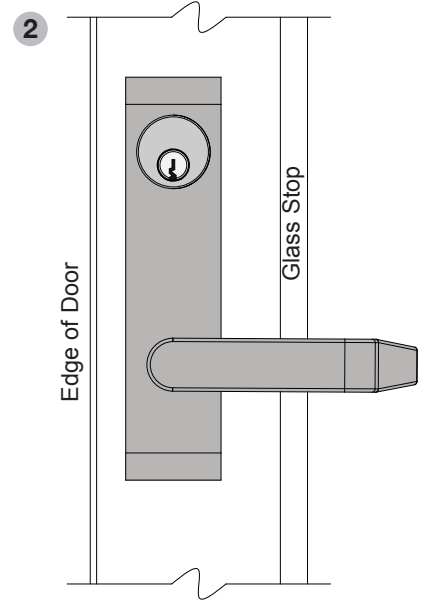
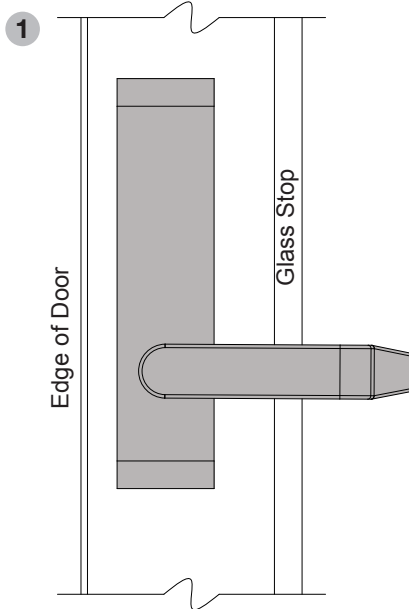


Single Components Condition

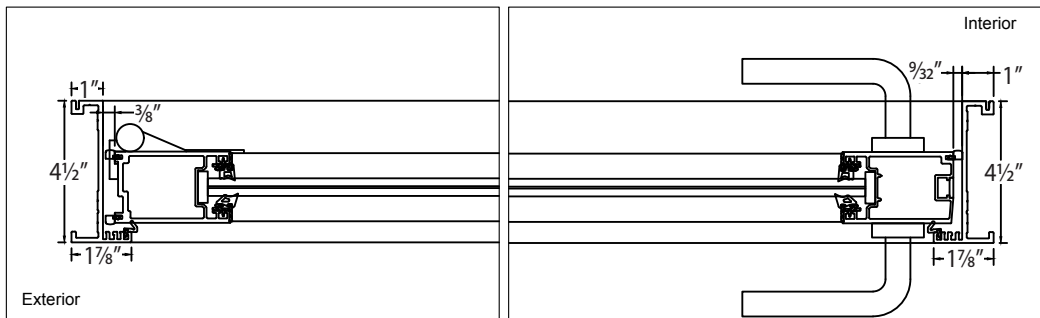
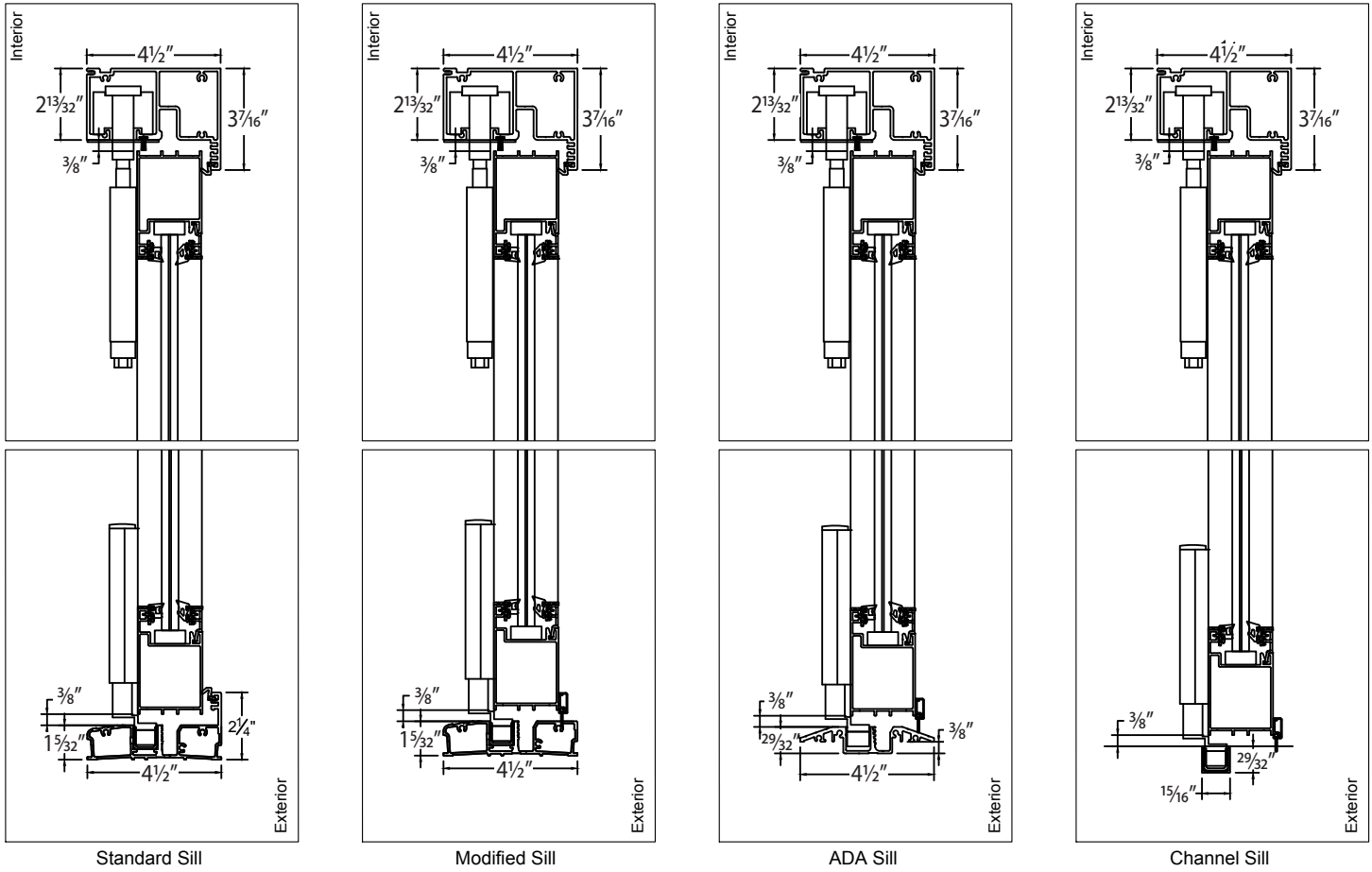


Exterior Access

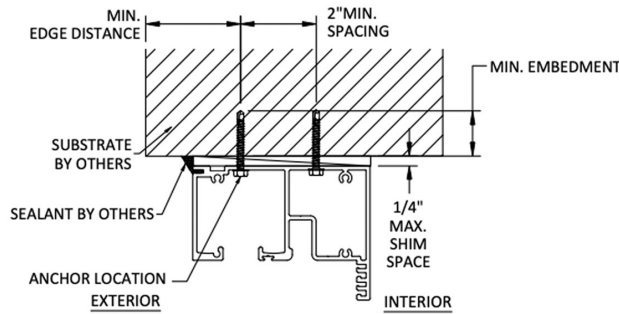
Note: Optional to have no exterior access.



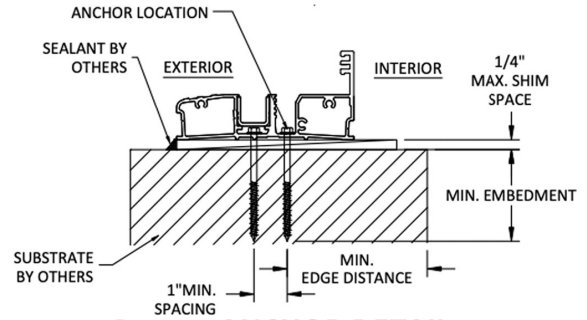
ELEVATION DETAILS



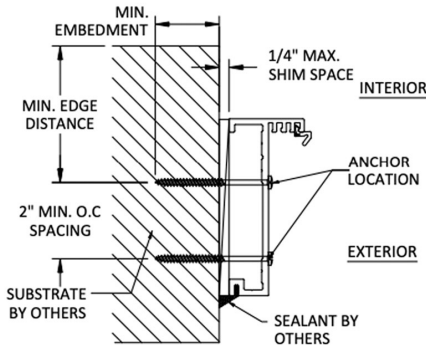
ANCHOR DETAILS



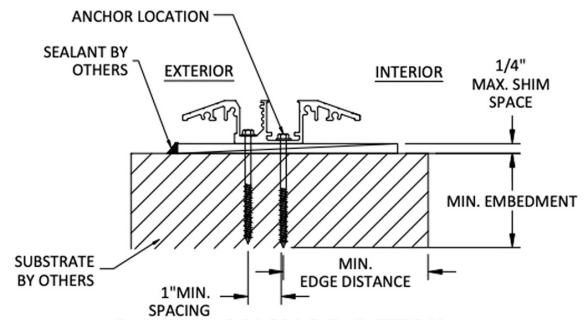
A
6 **ANCHOR DETAIL**
HEAD - THROUGH FRAME



B
6 **ANCHOR DETAIL**
STANDARD SILL - THROUGH FRAME
INSWING/OUTSWING



C
6 **ANCHOR DETAIL**
JAMBS - THROUGH FRAME



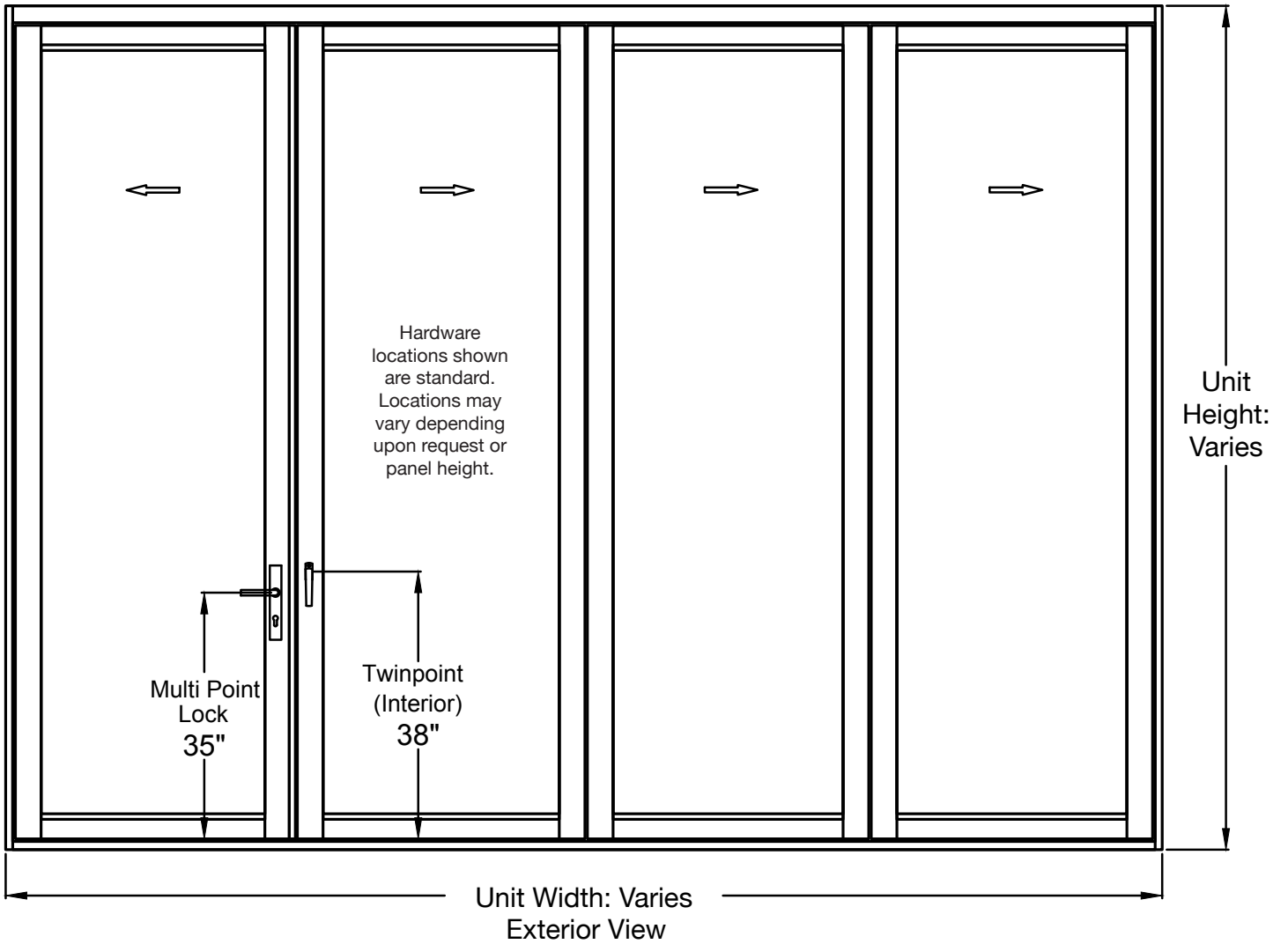
D
6 **ANCHOR DETAIL**
ADA SILL - THROUGH FRAME

ANCHOR SCHEDULE					
INSTALLATION TYPE	QTY PER LOCATION	SUBSTRATE	ANCHOR TYPE	EMBEDMENT (IN.)	EDGE DISTANCE (IN.)
THRU FRAME	2	WOOD (MIN. S.G. = 0.55)	#14 WOOD SCREW	1.5000	0.7500
	2	CONCRETE (MIN. F'C = 2,000 psi) OR CMU (PER ASTM C90)	1/4" ITW TAPCON	1.7500	2.5000
	2	METAL STUD (STEEL MIN. 18GA, Fy = 33ksi) ALUMINUM MIN 1/8", 6063-T5)	1/4" SMS OR SELF DRILLING SCREW	3 THREADS PENETRATION BEYOND METAL WALL	0.5000

- Two installation anchors required at each location shown.
- Option 1x and 2x wood studs for concrete/CMU installation.
- The number of installation anchors depicted is the minimum number of anchors to be used for the product installation of the maximum size listed.
- Install individual installation anchors within a tolerance of $\pm 1/2$ inch the depicted location and spacing in the anchor layout details (I.E. without consideration of tolerances). Tolerances are not cumulative from one installation anchor to the next.
- Shim as required at each installation anchor with load bearing shim(s). Maximum allowable shim stack to be $3/8$ inch. Shim where space of $1/16$ inch or greater occurs. Shim(s) shall be constructed of high density plastic or better.

- Minimum embedment and edge distance exclude wall finishes, including but not limited to stucco, foam, brick veneer and siding.
- Installation anchors and associated hardware must be made of corrosion resistance material or have a corrosion resistant coating.
- For hollow block and grout filled block, do not install installation anchors into mortar joints. Edge distance is measured from free edge of block or edge of mortar joint into face shell of block.
- Installation anchors shall be installed in accordance with anchor manufacturer's installation instructions, and anchors shall not be used in substrates with strength less than the minimum strength specified by the anchor manufacturer.

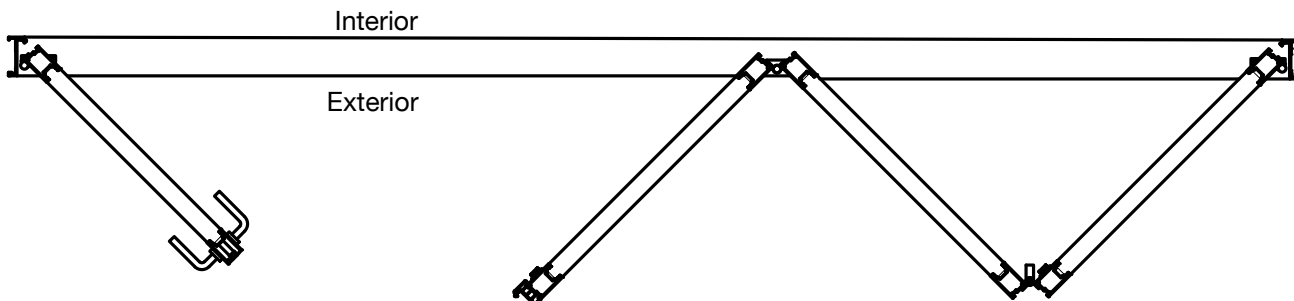
1 Left 3 Right Configuration Shown



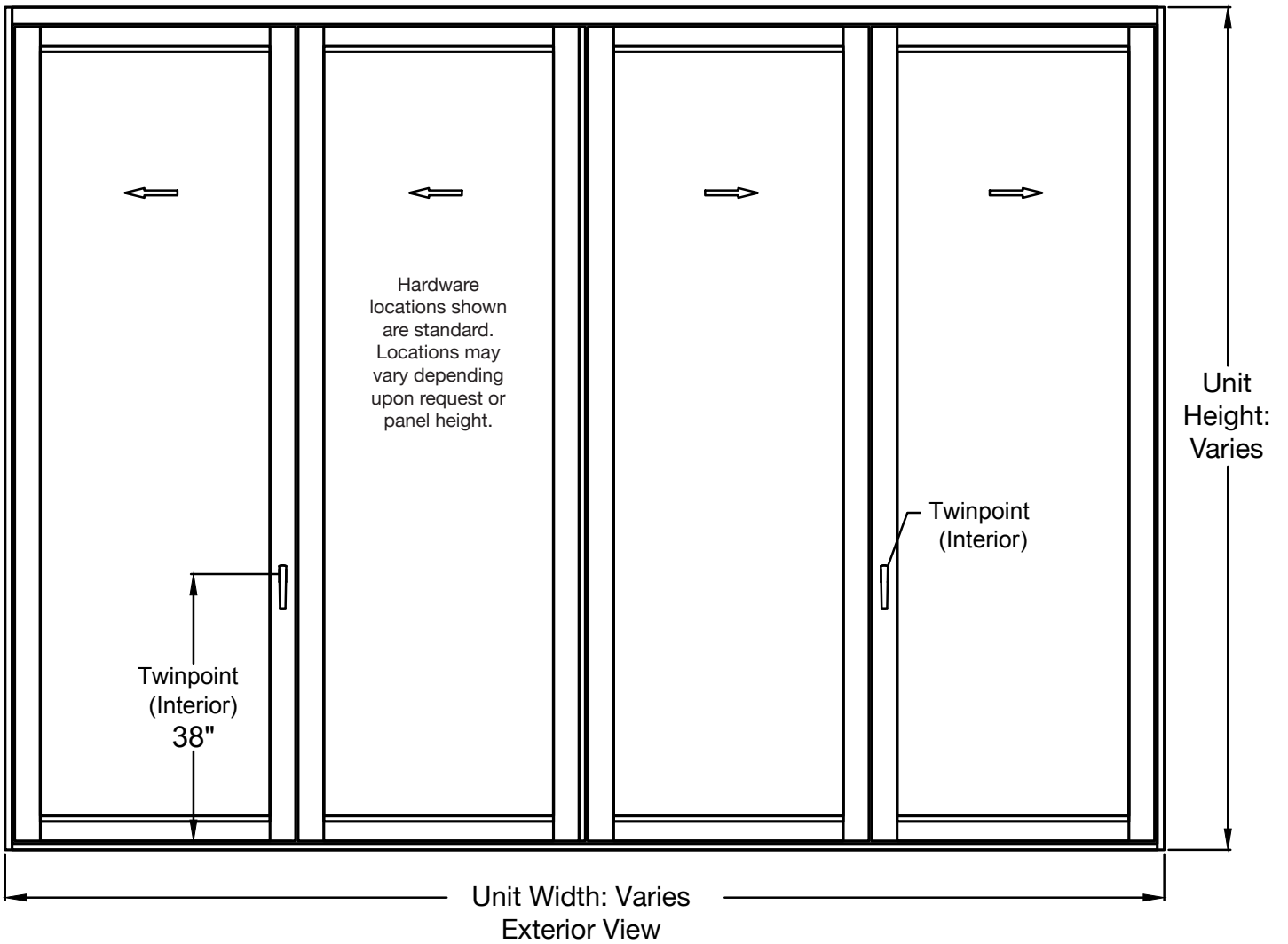
EXTERIOR ELEVATION



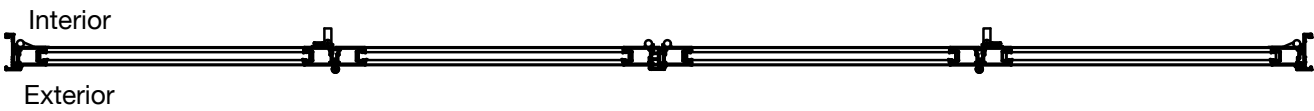
HORIZONTAL CROSS SECTION



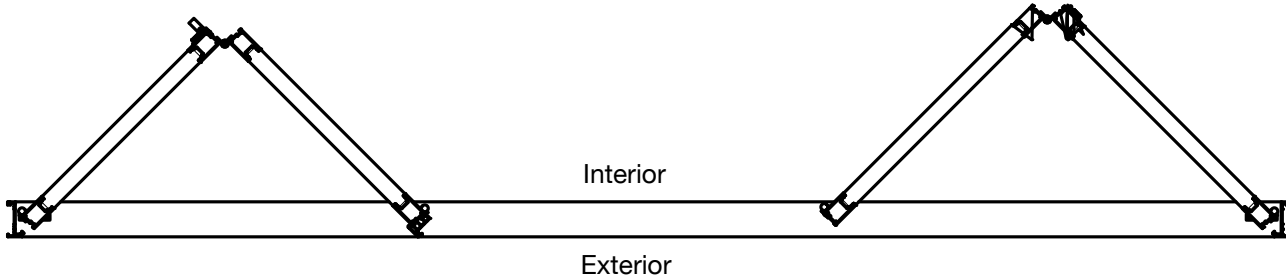
2 Left 2 Right Configuration Shown



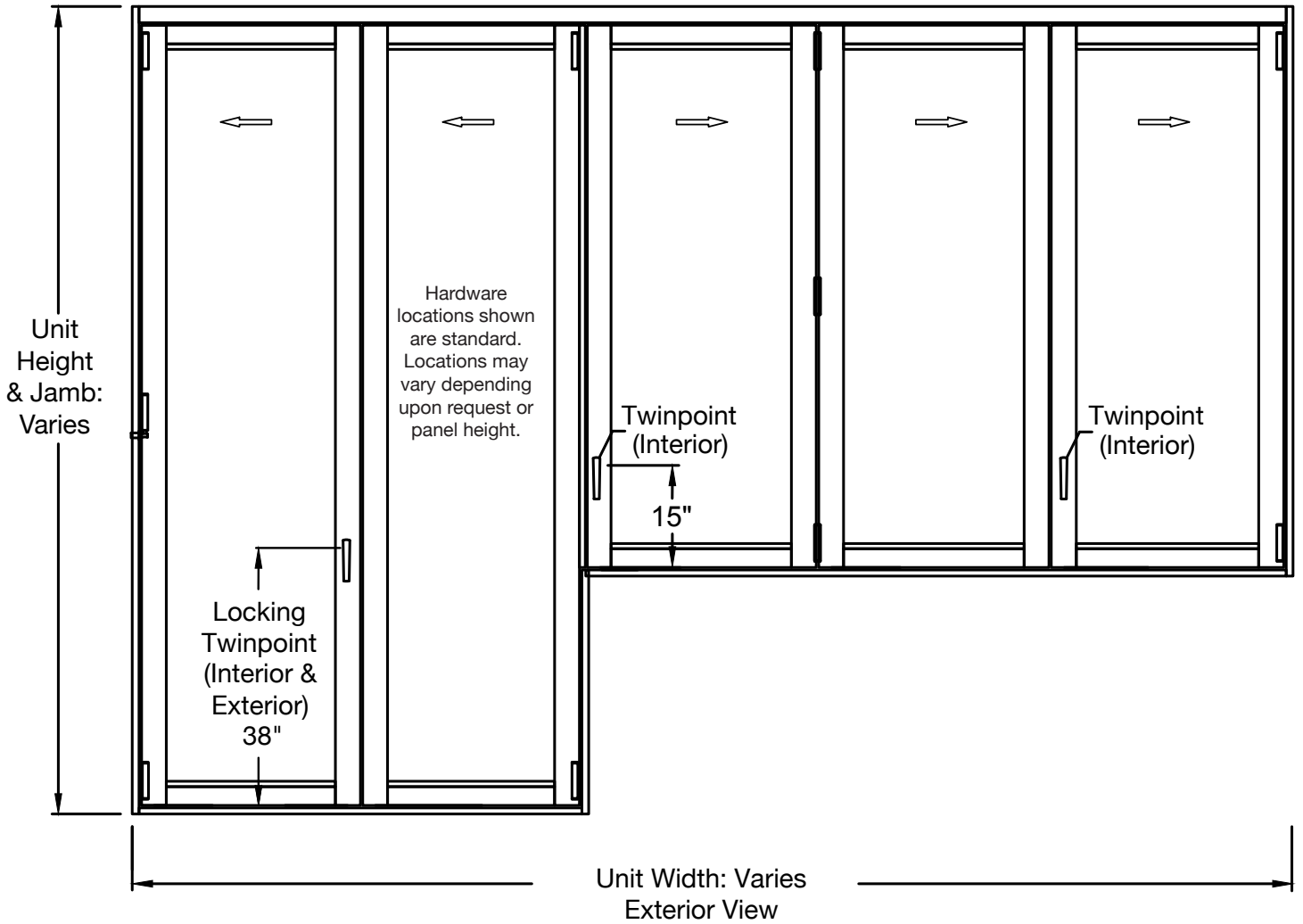
EXTERIOR ELEVATION



HORIZONTAL CROSS SECTION



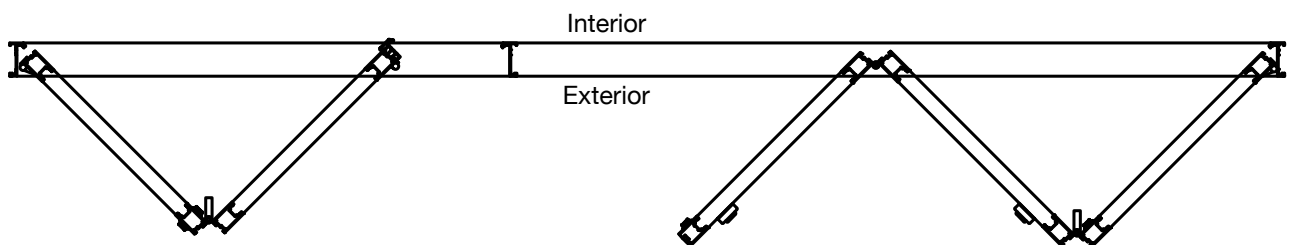
2 Left 2 Right Split Configuration Shown



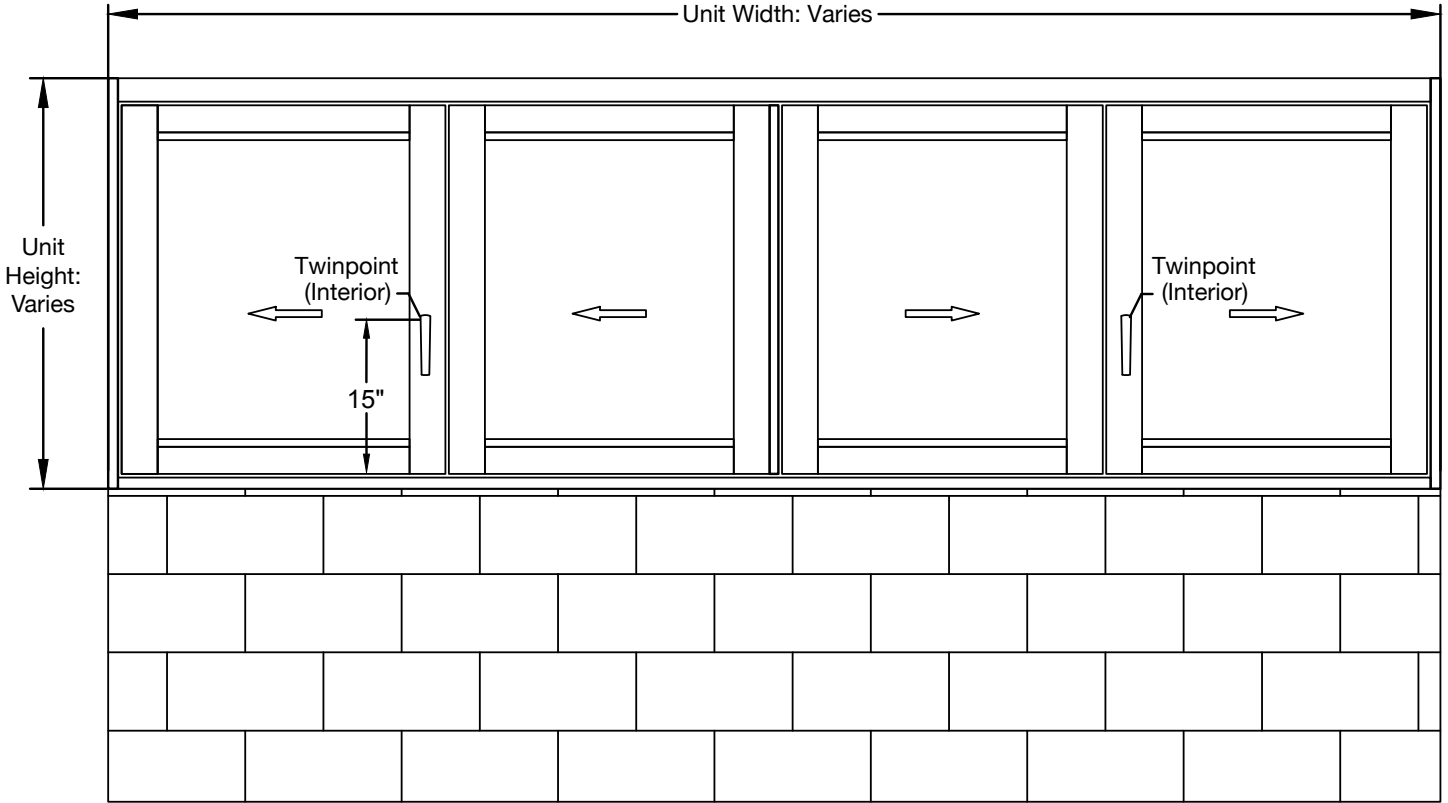
EXTERIOR ELEVATION



HORIZONTAL CROSS SECTION

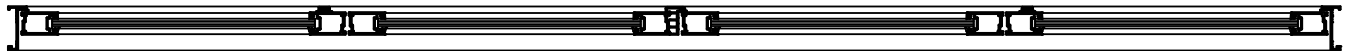


2 Left 2 Right Bar Top Configuration Shown

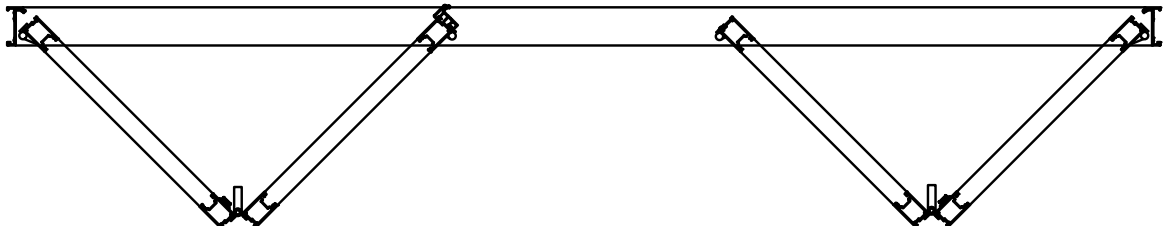


Exterior View

EXTERIOR ELEVATION



HORIZONTAL CROSS SECTION



DESIGN PRESSURE CHART

WZ3 Panel Width (Inches)

	20	24	28	32	36	40	44	48	52
96	100	100	100	100	100	75	65	65	65
102	100	100	100	98.7	88.6	75	65	65	
108	100	100	93.8	82.8	75	65	65		
114	100	92.2	79.5	75	75	65	+61.2/-65		
120	94.2	78.9	75	75	+64.6/-65	+58.6/-63.5			
126	81.3	75	74.4	65.5	+55.6/-60.2	+50.4/-54.6			
132	75	75	64.6	+53.9/-58.4	+48.2/-52.2				
138	75	65.6	56.5	+47.1/-51	+42.1/-45.6				
144	69	57.7	49.6	+41.4/-44.8					
159	61	51	43.8	+36.5/-39.6					
156	54.2	45.3	+36.9/-40	+32.4/-35.1					
162	48.3	40.4	+32.9/-35.7						
168	43.3	36.2	+29.5/-32						

HVHZ Panel Width (Inches)

	20	24	28	32	36	40	44	48	52
72	100	100	100	100	100	100	100	100	75
76	100	100	100	100	100	100	100	100	75
80	100	100	100	100	100	100	100	75	75
84	100	100	100	100	100	100	100	75	65
88	100	100	100	100	100	100	75	65	65
92	100	100	100	100	100	100	75	65	65
96	100	100	100	100	100	75	65	65	65
100	100	100	100	100	94.3	75	65	65	
104	100	100	100	92.9	75	75	65	+64.5/-65	
108	100	100	93.8	82.8	75	65	65		
112	100	97.3	83.9	75	75	65	+62.6/-65		
116	100	87.4	75.4	75	75	+64.5/-65			
120	94.2	78.9	75	75	+64.6/-65	+58.6/-63.5			
126	65	65	65	65	65	65			
132	65	65	65	65	65				
138	65	65	65	65	65				
144	65	65	65	65	65				

TEST PERFORMANCE RESULTS

- Approved for use in Miami-Dade HVHZ Zone
- Florida Building Code Approved Product Approval FL 17838
- TAS 201 TAS 202 TAS 203
- Tested for Thermal Requirements
- AAMA / WDMA / CSA 101 / I.S.2 / A440-08 • NAFS-08
- Air Infiltration: A2
- Water Leakage Resistance: DP75 or PG75
- Wind Load Resistance: up to DP100
- Wind Zone 4 (Hurricane) ASTM (cycling) E1996: DP100 (C3 H100 Series)
- Wind Zone 4 (Hurricane) ASTM (impact) E1886: Pass (C3 H100 Series)





EURO-WALL 10 YEAR WARRANTY

Euro-Wall warrants the products to be free from manufacturing defects for a period of 10 years from the date of purchase.

888.989.EURO (3876)

www.euro-wall.com

MANUFACTURING

2200 Murphy Court
North Port, Florida 34289
888.989.3876 • 941.979.5316



SHOWROOM

1211 Stirling Road, Unit 102,
Dania Beach, Florida 33004
954.610.2572

Proud Member of the American Architectural Manufacturers Association.

